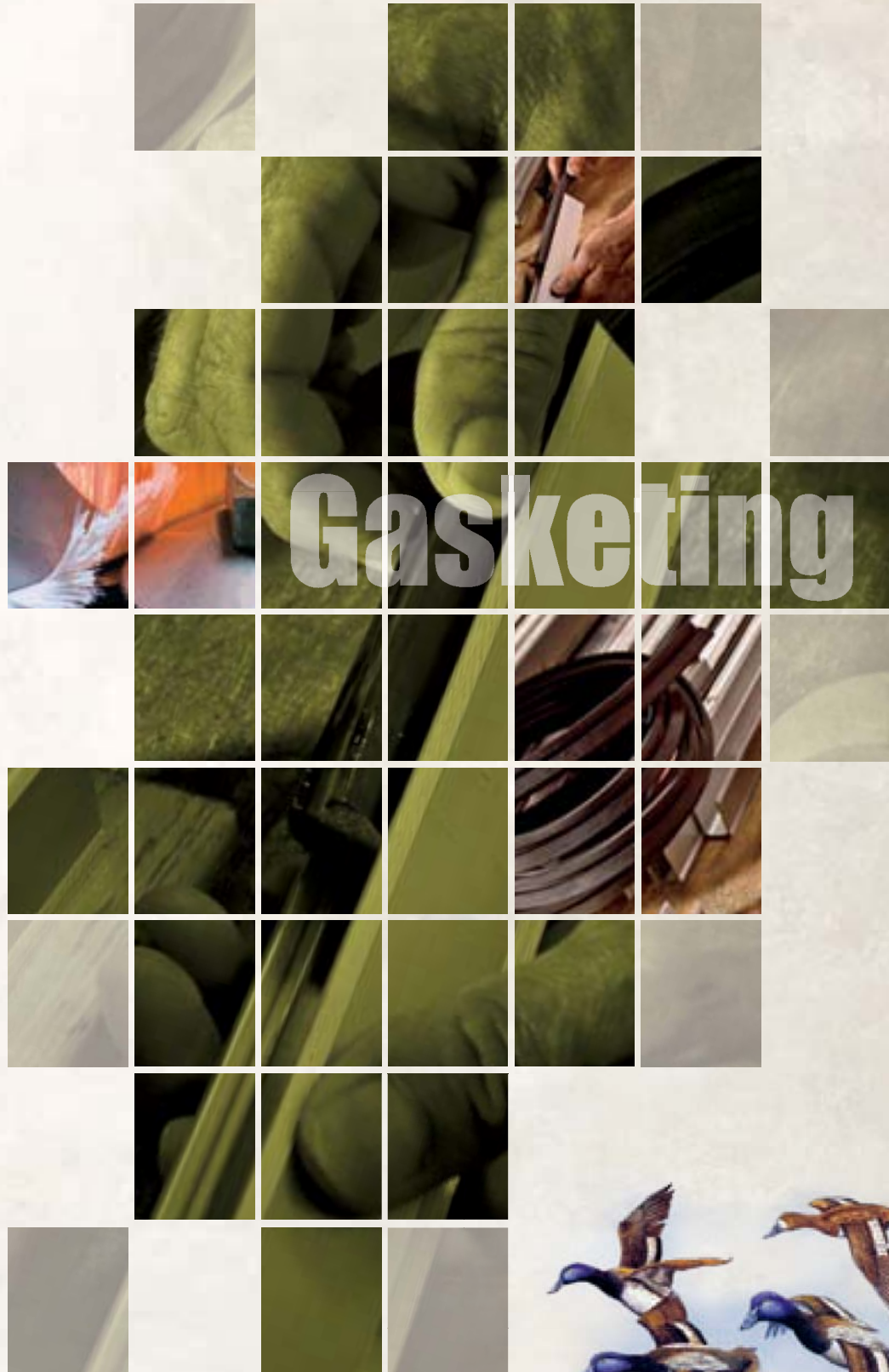


GASKETING PRODUCTS

- Category G-NGP-Edge® Seals
- Category H-Smoke and Draft Control Seals
- Sound Seals
- Self Adhesive Seals
- Intumescent
- Perimeter Seals
 - Vinyl
 - Polyurethane
 - Silicone
 - Neoprene
 - Nylon Brush
 - Interlocking
 - Magnetic
 - Adjustable
 - Concealed Fastener
 - P.A. Closer Compatible
- Automatic Door Bottoms
 - Surface
 - Mortise
 - Special Apps
- Door Shoes
- Door Sweeps
- Astragals
 - Mortise
 - Surface
- Finger Guard





Gasketing Product Index

Adhesive	G12-G14	Interlocking	G45
Adjustable	G28-G29	Intumescent	G8-G11, G25
Allseal Premium	G25	Kerf	G13, G19
Automatic Door Bottoms	G30-G34	Magnetic	G44, G49
Astragals	G42-G48	Mullion	G11
Bronze	G27, G49	Neoprene Perimeter	G16, G17
Concealed Fastener	G24, G34, G39, G44	Nylon Brush Perimeter	G20, G21
Door Aligning Astragals	G51	Overhead Door	G41
Door Closer Compatible	G22, G23	Pile Perimeter	G15
Drip Strips	G49	Polyurethane Perimeter	G17
Edge Sealing Systems	G8-G12	Silicone Perimeter	G18, G19
Fast Attach Tape (FATT)	G14	Shoes	G35-G37
Fasteners	G55	Sweeps	G38-G40
Finger Guard	G50	Stainless Steel	G26
Foam Perimeter	G19	Vinyl Perimeter	G15
Glass Door	G41		

Symbols/Legend



UL10B & CAN4-S104-80M CLASSIFIED, complies with NFPA 80 and NFPA 252 for application to Steel fire doors rated up to 3 Hrs., and Wood type fire doors rated up to 90 minutes. (Rating on some items vary and are noted.)



POSITIVE PRESSURE UL10C CLASSIFIED, Category 'J'; complies with **IBC**, NFPA 80 and NFPA 252 for application to Positive Pressure Steel fire doors rated up to 3 Hrs., and Wood type fire doors rated up to 90 minutes. (Ratings on some items vary and are noted.)



NGP-EDGE® SEALING SYSTEM, Category 'G' classified; required for Category B classified wood type fire doors to meet positive pressure requirements complying with **IBC**, and NFPA 252. See individual products for maximum door size and ratings.



SMOKE & DRAFT CONTROL GASKETING, Category 'H' classified; complies with **IBC**, UL1784 and NFPA 105 for use on '**S**' labeled Positive Pressure Steel fire doors rated up to 3 hours, and wood type fire doors rated up to 90 minutes. (Ratings on some items vary and are noted.)



ACOUSTICAL TESTED to ASTM E90 Standard Test Method for Laboratory Measurement of Airborne Sound Transmission Loss of Building Partitions and Elements, and ASTM E1408 Standard Test Method for Laboratory Measurement of the Sound Transmission Loss of Door Panels and Door Systems. Refer to chart on page G5 for test result data.



AIR INFILTRATION TESTED to ASTM E283, Standard Test Method for Determining Rate of Air Leakage Through Exterior Windows, Curtain Walls, and Doors.



ANSI/BHMA CERTIFIED. Certified gasketing complies with American National Standard for Door Gasketing and Edge Seal Systems ANSI/BHMA A156.22-2011, and is listed in the BHMA Certified Products Directory.



Online product listings: www.ul.com/database



Numerical Index

5V	G35	132N	G16	229BR	G30	704V	G23
6V	G35	133N	G16	254P	G37	704E	G22
12V	G35	134N	G16	284Q	G19	705V	G23
13V	G35	134S	G18	303N	G29	705E	G22
14R	G41	135N	G17	304N	G29	706	G23
15N	G36	136N, 136S	G41, 47	305N	G29	706E	G22
16	G49	136P	G47	310	G30	780	G30
16SS	G26	137N	G17, 42	312V	G37	1000R	G48
17	G49	137S	G19, 42	313V	G37	1015V	G39
17BR	G27	139A	G46	318V	G37	1025V	G39
18V	G35	139BR	G27, 46	319V	G37	1038N	G28
19V	G35	139SP	G46	319EV	G37	1392SP	G46
26N	G36	139SS	G26, 46	320	G32	2014R	G38
35V	G37	140P	G43	335	G32	2248	G50
35EV	G37	140M	G44	336P	G48	2252	G50
36V	G37	140S	G43	339FS	G11	2525	G12
36EV	G37	141	G29	340P	G48	3038N	G29
43CB	G49	143P	G47	361	G14	4440	G34
43SB	G49	144	G48	362	G14	4441	G34
44SB	G49	147N	G47	420N	G31	4447	G34
45SB	G49	148N	G45	421N	G31	4448	G34
50SB	G49	149M	G44	422N	G33	5020	G13
54CP	G11	150U	G17	423N	G33	5021	G13
95WH	G36	151	G47	520N	G31	5025	G13
96V	G39	152V	G15	522N	G33	5040	G12
97V	G39, 43	152S	G19	600	G21, 40, 43	5050	G12
98V	G39	154P	G37	601	G21, 40	5060	G12
99	G35	155V	G15	602	G20	5070	G13
100V	G39	155S	G19	603	G20	5075	G13
101V	G39	156S	G19	A605	G21, 40, 43	5100	G11
102V	G39	156V	G15	B606	G21, 40, 43	9000	G25
103N	G28	157M	G49	C607	G21, 40	9001	G18, 25
104N	G28	158	G45	D608	G21, 40	9002	G18, 25
105N	G28	159M	G49	E609	G21, 40	9004	G25
106	G28	160S	G19	G610	G21, 40	9115	G25, 42
107	G28	160U	G17	G611	G21	9125	G25, 42
108N	G16	160V	G15	H612	G21, 40	9125BR	G27
109N	G45	161N	G17	H614	G21	9125SS	G26
109BR	G27	161P	G15	I-615	G21	9450	G8
109SS	G26	161S	G19	I-616	G21	9500	G10
110N	G16	161U	G17	A617	G20	9500 x 2525	G9
110S	G18	161V	G15	618	G36	9500 x 5020	G9
112N	G36	162S	G19	C619	G20	9550	G8
113N	G36	162V	G15	D620	G20	9600	G25, 40, 42
114	G45	164V	G15	E621	G20	9605	G25, 40, 42
115N	G42	165N	G16	G622	G20	9675	G25, 40, 42, 44
116N	G41, 47	165S	G18	H623	G20	9700	G23
117N	G38	170	G24	I-624	G20	9700E	G22
118N	G36	172	G24	A625	G20	9706E	G22
119N	G36	176	G45	F625	G20	9750	G9
120N	G16	178S	G45	A626	G20	9800	G10
120BR	G27	PF180	G14	C627	G40	9850	G9
120S	G18	PF183	G14	OV633	G21, 40	81369N	G41
120SS	G26	184Q	G19	OV634	G21, 40	FATT	G14
121	G43, 45	185P	G15	A635	G47		
122N	G16	188V	G15	D648	G21		
122NBR	G27	189M	G44	A650	G41		
122SS	G26	190V	G15	A651	G41		
123N	G43, 45	191V	G24	652	G41		
124	G45	197N	G38	670	G24		
125N	G42	198	G38	672	G24, 39, 44		
125BR	G27	199N	G38	673	G39		
125SS	G26	200	G38	674	G39		
127S	G18	200BR	G27	675	G24, 39, 44		
127N	G16	200SS	G26	678	G39		
127SSS	G26	201N	G38	679	G39		
129N	G17	202N	G38	680	G31		
129U	G17	203N	G38	682	G33		
129BR	G27	220	G30	683	G33		
129SS	G26	221SS	G30	700	G23		
130N	G16	221BR	G30	700E	G22		
130BR	G27	222	G30	701E	G22		
130S	G18	223	G31	701P	G23		
130SS	G26	225	G32	703V	G23		
131N	G16	229SS	G30	703E	G22		

Metal Edges and Astragals -
See Lite and Louver Catalog



Materials

Metal retainers for gasketing are Aluminum Alloy 6063, T5 temper, unless noted.

Architectural Bronze gasketing is Alloy CDA 385 (Copper Alloy No. C38500), Architectural Bronze.

Stainless steel gasketing is Type 304; known for its excellent corrosion resistance, high tensile strength and resistance to oxidation.

NGP utilizes a variety of gasketing materials including Vinyl, Neoprene, Silicone, Nylon Brush, Thermo-Plastic Elastomers (TPE), Polypropylene Pile, Ethylene-Propylene-Diene-Monomer (EPDM), Polyurethane, and Intumescent Fire Seals. Product Illustrations indicate the Gasketing material. Properties of many primary gasket materials are listed on the perimeter seal catalog pages.

Adhesive mounted gasketing utilizes a pressure sensitive modified acrylic adhesive protected by a release liner. Once installed it provides a permanent bond in exterior or interior locations. End use temperature range is 0°F up to 190°F. Shelf life of adhesive prior to installation is one year when stored at 75°F and 50% relative humidity or less.

Gasketing Finishes

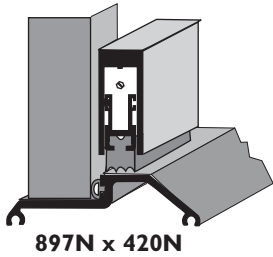
			<u>NGP Suffix:</u>
Aluminum:	Mill Finish	ANSI/BHMA 719	None
	Clear Anodized	ANSI/BHMA 628	A
	Dark Bronze		DKB
	Gold		B
	Polished	ANSI/BHMA 717	POL
	Powder Coated Colors – See Page L2 for details		
Architectural Bronze:	Satin Finish	ANSI/BHMA 728	BR
	Dark Bronze Oil Rubbed	ANSI/BHMA 722	BR-DKB
	Polished	ANSI/BHMA 721	BR-POL
Stainless Steel:	Mill Finish	#2B	SS
	Brushed (#4)	ANSI/BHMA 630	SS-Brushed
	Polished	ANSI/BHMA 629	SS-POL
Gasket Materials:	Neoprene is Black		N
	Polyurethane is Black		U
	Vinyl is Gray, except where noted as Black		V
	Silicone colors: Black, Brown, Clear, Gray, Tan, White		S
	Nylon Brush colors: Black, Gray, Tan		
	TPE colors: Brown, Charcoal, Clear, White		
	Polypropylene Pile is Gray EPDM is Gray		

Powder Coat Finish

Powder Coat finish is standard on Metal Edges and Astragals and is available on most metal gasketing retainers upon request. Refer to page L2 for standard color options. Consult factory for custom color matching.

Sound Transmission Class (STC) Rated Door Assemblies

Acoustical testing to ASTM E90 Standard Test Method for Measurement of Airborne Sound Transmission Loss of Building Partitions and Elements and ASTM E1408 Standard Test Method for Laboratory Measurement of the Sound Transmission Loss of Door Panels and Door Systems. The sound transmission class (STC) was calculated in accordance with ASTM E413 Classification for Rating Sound Insulation.



STC Rating Static Door Panel	STC Rating Operable Door w/ Gasket	Perimeter Seals	Door Bottom	Threshold
30	30	103N, 107N, 120N, 127N, 133N, 134N, 137N, 303N, 700N, 700S	420N	897N
30	30	130S	225S	896S
30	30	107S	220S	950S
33	31	5020, 5025	780S	513
36	33	5050	335N	513
40	37	5020, 5025	780S	513
40	37	103N, 107N, 303N	420N	897N
40	38	•(2) 5050	335N	896S
40	39	120N, 133N, 134N, 137N, 700N, 700S	420N	897N
40	39	107S	220S	950S
44	39	1038N, 3038N	423N	896S
45	39	5050	335N	896S
47	39	103N	420N	897N
42	40	•(2) 5050	Mortise 312V	896S
43	40	•(2) 5050	423N	896S
44	40	131N	335N	896S
47	41	103NFS	422N	897N
45	42	•(2) 5050	335N	896S
47	43	•(2) 5050	423N	896S
50	43	103N, 134N	420N	897N
50	43	107S	220S	950S
51	43	159M	420N	897N
48	44	•(2) 5050	423N	896S
49	44	103NFS	422N	8434S
52	44	107N, 131N, 1038N, 3038N	420N	897N

•Indicates 2 rows of 5050 installed as follows:

Acoustical Gasketing

The chart above indicates the STC rating of specially made acoustic doors using various applications of gasketing. The first column is the rating of the door panel only; tested in a static inoperable condition to determine the sound transmission through the door. The second column is the rating of the operable door installed with hardware and gasketing which provides the STC rating of the door assembly.

STANDARD DOORS without special acoustic core - solid core wood doors with gasketing test to an STC rating of approx. 28 to 30. Mineral core wood doors and Honey comb core hollow metal doors with gasketing test to an STC rating of approx. 32 to 36. Without gasketing these doors have no sound control and test to an STC rating between 15 and 20. To most effectively reduce sound transmission around the perimeter and maximize the acoustic performance we recommend the following be used:

- 107S Perimeter Seal
- 700S Seal at head if a parallel arm closer is used
- 220S Automatic Door Bottom
- Any Threshold - To allow proper sealing of Automatic Door Bottom



ANSI/BHMA



The following interprets ANSI/BHMA numbers which identify type and function of products. For products that meet ANSI/BHMA Standards, look for the BHMA certified logo next to the product in our catalog. For a complete listing refer to the BHMA Certified Products Directory, available online at www.buildershardware.com

ANSI/BHMA A156.22 (2011) American National Standard for Door Gasketing and Edge Seal Systems

1 Product Section R designates Gasketing

2 Retainer Material	3 Gasketing Material	4 Product Type	5 Material Application	6 Gasketing Rating	
1. Brass or Bronze 3. Aluminum 5. Stainless Steel 0. Optional material or none used	A. Brush B. Neoprene, solid C. Neoprene, closed cell D. Vinyl E. Silicone Rubber F. Pile G. Thermoplastic Elastomer (TPE) H. Thermoplastic Urethane (TPU) J. Thermoplastic Rubber K. Spring Metal L. Magnetic M. Felt N. Rubber Fabric P. Intumescent Q. Intumescent/Brush	R. Intumescent /Neoprene, solid S. Intumescent /Neoprene, closed cell T. Intumescent/ Vinyl cell U. Intumescent / Silicone Rubber V. Intumescent/ Pile W. Intumescent / Thermoplastic Elastomer (TPE) X. Intumescent / Thermoplastic Urethane (TPU) Y. Optional material or none used Z. Intumescent / Thermoplastic Rubber	1. Head & Jamb 2. Head & Jamb, Adjustable 3. Automatic Door Bottom 4. Door Sweep or Shoe 5. Door Sweep or Shoe with Drip Cap 6. Astragal Overlapping 7. Astragal Split or Compensating 8. Astragal Adjustable 9. Rain Drip without gasket 0. Other	1. Door Edge 2. Door Edge, Mortise 3. Door Face 4. Door Face, Semi-Mortise 5. Frame Rabbet (surface or mortise) 6. Frame Soffit (H.M.) Frame Stop (WD) 7. Frame Face 8. Kerf 9. Stop (H.M.), Stop Face (WD) 0. Other	0. Smoke/Energy Performance/ Acoustic Rated 1. Smoke/Energy Performance rated. 2. Smoke/Acoustic Rated 3. Energy Performance/ Acoustic Rated 4. Smoke Rated 5. Energy performance Rated 6. Items not rated. 7. Acoustic Rated

LEED Green Building

The LEED (Leadership in Energy and Environmental Design) Green Building Rating System® is a national standard for developing high-performance, sustainable buildings developed by the U. S. Green Building Council.

Our products contain the following percentages of recycled materials qualifying for LEED® MR Credit 4; Recycled content:

	Post Consumer Recycled %	Pre-Consumer Recycled %
Gasketing with Aluminum or Bronze Retainers	56%	0%
Gasketing with Stainless Steel Retainers	68%	0%
Self Adhesive Gasketing	0%	0%

Contact us for a current letter containing LEED qualification information for all our products.

Buy American Act

Over 99% of our products are produced in the United States as a domestic construction material, as defined in the Buy American Act (BAA) of March 1933 and amended by the Buy American Act of 1988; and additionally qualify as manufactured products produced in the United States as manufactured goods, as defined in OMB Guidance (176.140; 176.70(a) (2) (ii); 176.160, complying with the Federal American Recovery Reinvestment Act, ARRA-2009. Contact us for a BAA or ARRA certificate for your project.

The International Building Code (IBC)

The International Building Code (IBC) requires swinging fire doors to be tested in accordance with NFPA 252 or UL10C, with the neutral pressure level established at 40 inches or less above the sill. This causes “positive pressure” forces against the door assembly above 40 inches.

The result is hot gases and smoke leak out between the door and frame above this level, posing a serious threat to life-safety; and on wood doors rapidly deteriorating the integrity of the door edges, requiring either a built-in or supplemental “edge sealing system” to pass the test.

Fire door assemblies in corridors and smoke barrier walls are required to be smoke and draft control assemblies tested in accord with UL1784 allowing a maximum air leakage of 3 cubic feet per minute per square foot of door opening at ambient temperature (75°F) and elevated temperature (400°F). These assemblies require the letter “S” on the fire rating label of the door indicating compliance “when listed or labeled gasketing is also installed.”

Fire doors are classified into category **A** or **B** based upon their construction and edge sealing system requirements. Fire-rated gasketing is classified as follows:



Category G - Edge Sealing Systems



Category H - Smoke and Draft Control Gasketing



Category J - Gaskets other than Category G or H.

Category A classified fire doors:

Hollow Metal Fire-Rated Doors
Wood Fire-Rated Doors constructed with edge seals built-in during the manufacturing process.

Require Category H – Smoke and Draft Control Gasketing at **perimeter** and at **meeting edge of pairs** of “S” label doors in corridor locations or smoke barrier walls.

Require Category H – Smoke and Draft Control **door bottom Seals** on “S” label doors where pressurization is provided to restrict smoke movement (typically controlled by HVAC system).

The following are some recommended products UL listed Category H for wood doors - 90 min. max., steel doors - 3 hour max.



Perimeter: 2525, 5020, 5025, 5040, 5050, 5060, 5075



Meeting edges: 115N, 125N, 137N, 137S, 5070, 9115, 9125, 9600, 9605

Category B classified fire doors:

Wood Fire-Rated Doors that require the addition of a Category G classified edge sealing system in the field.

Require Category G – Edge Sealing System, at **perimeter** and at **meeting edge of Pairs**.

Require Category H – Smoke and Draft Control Gasketing at **perimeter** and at **meeting edge of pairs** of “S” label doors in corridor locations or smoke barrier walls.

Require Category H – Smoke and Draft Control **door bottom seals** on “S” label doors where pressurization is provided to restrict smoke movement (typically controlled by HVAC system).

The following are some recommended products UL listed for both category G and H:



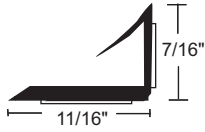
Perimeter 20 minute: 5050
 Perimeter 45, 60, 90 minute: 9450, 9550, 9750, 9850



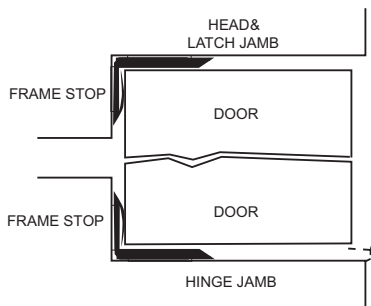
Meeting edge 20, 45, 60, 90 minute: 9550



Combination NGP-Edge® Sealing System/Smoke and Draft Control Gasketing - Category "G" and "H" Classified



- 9450B** Brown
- 9450C** Charcoal
- 9450W** White



9450 Intumescent with TPE Fin Fire and Smoke Seal



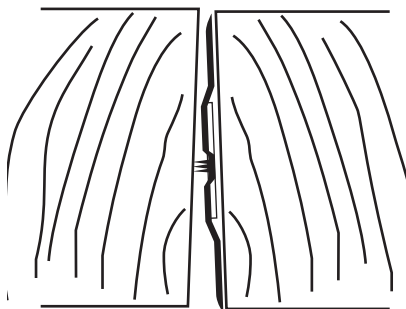
20, 45, 60, 90 Minute rated category B wood doors perimeter application up to:
 single swing 4'0 x 9'0
 standard pair 8'0 x 9'0 use 9550 at the meeting edge

1/8" clearance required between door and frame

Available in 36", 48", 84", 96" and 108" lengths

Self-Adhesive

See adhesive specifications on page G12



9550 NGP-Edge® Intumescent with TPE Fins Fire and Smoke Seal



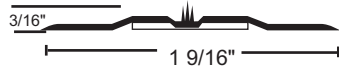
20, 45, 60, 90 minute rated category B wood doors up to:
 single swing 4'0 x 9'0, perimeter application
 pairs 8'0 x 9'0, perimeter/meeting edge

1/8" clearance required between doors and between door & frame

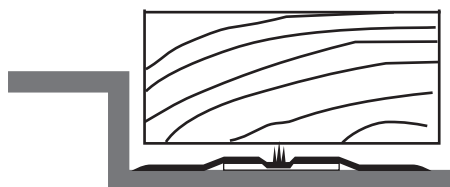
Available in 36", 48", 84", 96" and 108" lengths

Self-Adhesive

See adhesive specifications on page G12



- 9550** Gray
- 9550DKB** Brown



Combination NGP-Edge® Sealing System/Smoke and Draft Control Gasketing - Category 'G' and 'H' Classified

9750, 9850 Intumescent with TPE Fire and Smoke Seal



20, 45, 60, 90 Minute rated category B wood doors perimeter application up to:

single swing 4'0 x 9'0
pairs 8'0 x 9'0



1/8" clearance required between door and frame

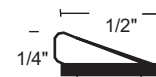
Self-Adhesive

See adhesive specifications on page G12



9850B Brown
9850C Charcoal
9850W White

Available in 36", 48", 84", 96" and 108" lengths



9750B Brown
9750C Charcoal
9750W White

Available in 36", 48", 84", 96" and 108" lengths

9500 x 2525 or 9500 x 5020 NGP-Edge® Intumescent Fire Seal x Smoke Seal



20, 45, 60, 90 Minute rated category B wood doors perimeter application up to:

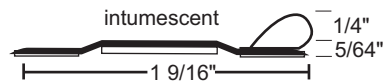
single swing 4'0 x 9'0
pairs 8'0 x 9'0



1/8" clearance required between door and frame

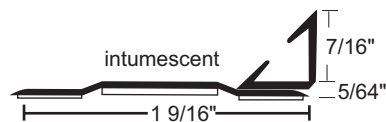
Self-Adhesive

See adhesive specifications on page G12



9500DKB x 2525B Brown
9500 x 2525B Gray x Brown
9500 x 2525W Gray x White

Available in 36", 48", 84", 96" and 108" lengths



9500DKB x 5020B Brown
9500 x 5020B Gray x Brown

Available in 36", 48", 84", 96" and 108" lengths



NGP-Edge® Sealing Systems - Category 'G' Classified

NGP Intumescent materials are formulated to expand at 375°F to 400°F up to 8-10 times their original thickness; completely sealing the gap around and between doors during a fire.



- 9800B** Brown
- 9800C** Charcoal
- 9800W** White

Intumescent with Protective Skin
Available in 17', 21' and 150' rolls
Self-Adhesive
See adhesive specifications on page G12



9800 Intumescent Fire Seal

Perimeter Application:



20, 45, 60, 90 Minute rated category B wood doors up to

- single swing 4'0 x 9'0
- pairs 8'0 x 9'0

Meeting Edge Application up to 8'0 x 9'0 pairs of category B wood doors:



20 Minute rated with single strip installed



45, 60 Minute rated with two strips installed

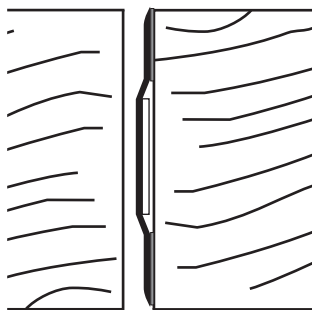
9500 NGP-Edge® Intumescent Fire Seal



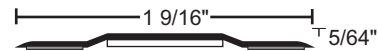
20, 45, 60, 90 minute rated category B wood doors up to:

- single swing 4'0 x 9'0, perimeter application
- pairs 8'0 x 9'0, perimeter/meeting edge

U.S. Pat. DES 417,739



1/8" clearance required between doors and between door and frame



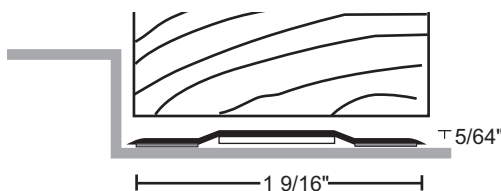
- 9500** Gray
- 9500DKB** Brown

Intumescent with PVC cover

Available in 36", 48", 84", 96" and 108" lengths

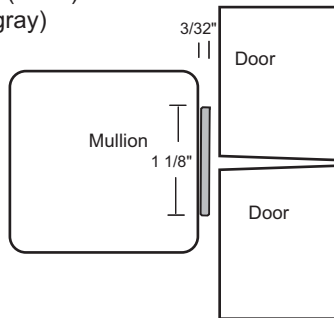
Self-Adhesive

See adhesive specifications on page G12



Seal for Mullion Applications

- 5100N** Neoprene (black)
- 5100S** Silicone (gray)



Closed cell sponge strip 1-1/8" wide x 3/32" thick with an adhesive strip for mounting directly to the face of the mullion that doors close against.



Available in 86" and 96" lengths

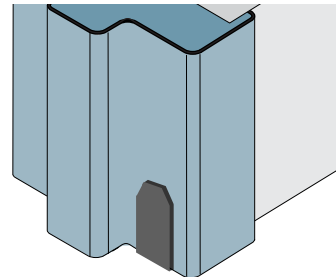
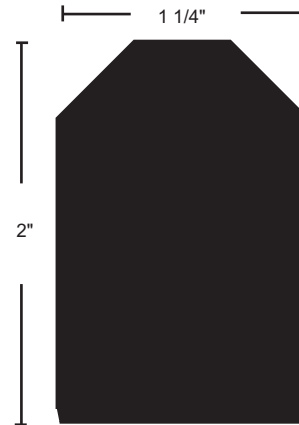
Self-Adhesive

See adhesive specifications on page G12

Corner Pad

Helps acoustics and seals corner gap for air leakage control. Apply to jamb on hinge side, opposite bottom corner of door edge.

- 54CP** Black polypropylene pile Self Adhesive



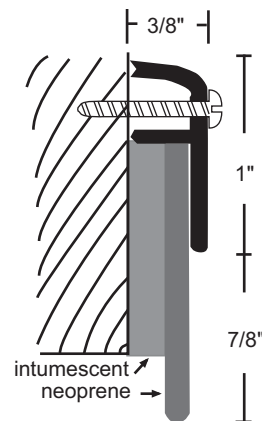
Intumescent Door Sweep

Retain Fire Rating on 20 Minute Wood Doors With Undercut up to 1 1/4"

UL10C Positive Pressure classified for 20 minute wood doors with up to 1 1/4" undercut.

UL10B classified for 20 minute wood doors with up to 1 1/4" undercut.

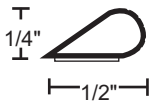
Available in 36" and 48" lengths



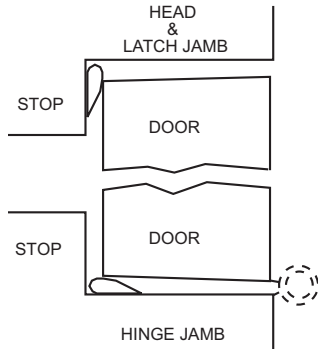
- 339FSA**
- 339FSDKB**

- A** - clear
- DKB** - dark bronze
- neoprene is black

Self-Adhesive Silicone Gasketing



- 5050B** Brown
- 5050C** Charcoal
- 5050W** White
- 5050T** Tan
- 5050CL** Clear



Silicone Bulb Fire and Smoke Seal



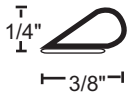
Edge Sealing System - Category "G" for 20 minute rated category B wood doors perimeter application up to:
 single swing 4'0 x 8'0
 pairs 8'0 x 8'0
 use 9550 at the meeting edge of pairs



Smoke and Draft Control - Category "H"
 Up to 3 hours steel fire doors
 Up to 90 minutes wood fire doors



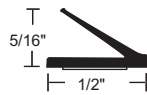
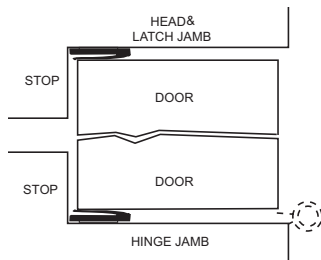
Meets requirements of ROHS Directive 2002/95/EC
 Available in 17', 20', 21', 25' and 300' rolls.



- 2525B** Brown
- 2525C** Charcoal
- 2525W** White
- 2525T** Tan

Silicone Bulb Smoke Seal

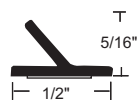
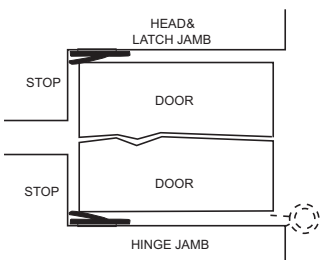
Available in 17', 20', 21', 25' and 300' rolls.



- 5040B** Brown
- 5040W** White

Silicone Fin Smoke Seal

Available in 17', 20', 25', 300' rolls



- 5060B** Brown
- 5060CL** Clear

Silicone Fin Smoke Seal

Available in 17' and 21' rolls.

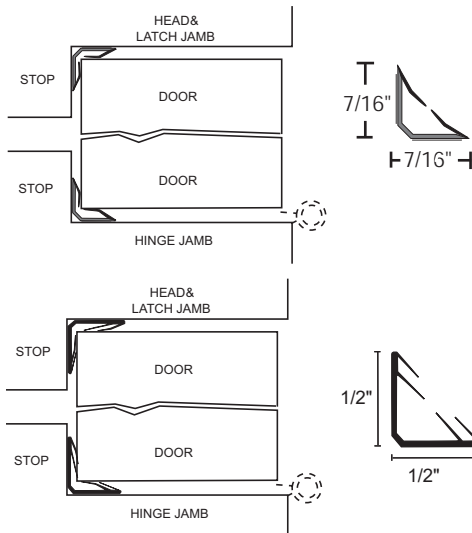


Adhesive specifications: Modified acrylic pressure sensitive adhesive protected by release liner. Provides high initial adhesion and long term holding power for permanent mounting in exterior or interior locations. Resistant to aging, weathering, UV radiation, water, detergent, alcohol and the influence of chemicals. End use temperature range, long term exposure 0°F up to 190°F; short term exposure 0° F up to 400° F. Shelf life of adhesive prior to installation is one year when stored at 75°F and 50% relative humidity or less.

Self-Adhesive TPE Gasketing

Properties:

- Thermo-Plastic Elastomers (TPE)
- Good abrasion resistance
- Moisture resistant
- BHMA certified to ANSI/BHMA A156.22 performance tests for heat, cold, air infiltration and smoke infiltration
- Adhesive specifications shown on page G12
- Rigid PVC base with flexible elastomeric fins
- Flame resistant
- Temperature range -60°F to 275°F

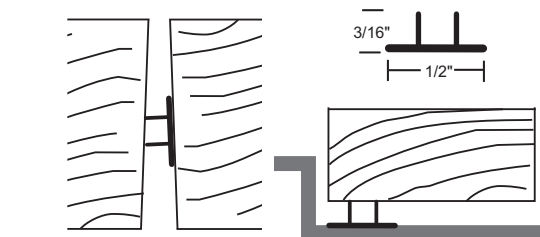


TPE Batwing Smoke Seal

- 5020B** Brown
- 5020C** Charcoal
- 5020W** White
- 5020CL** Clear



Available in 36", 48", 72", 84", 96" and 108" lengths



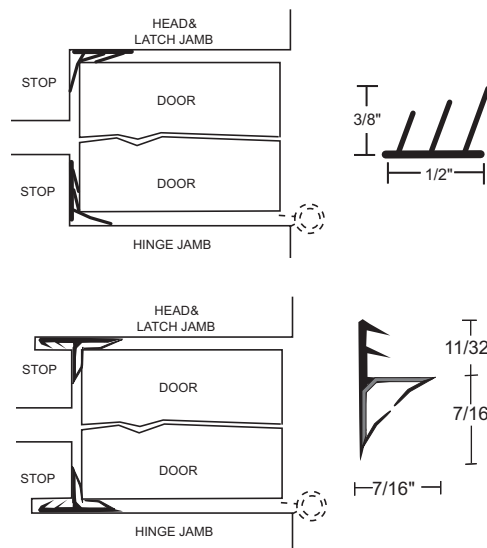
TPE Double Shark Fin Smoke Seal

Smoke rated for perimeter and/or meeting edge (Astragal) applications

- 5070B** Brown
- 5070W** White
- 5070CL** Clear



Available in 36", 48", 72", 84", 96" and 108" lengths



TPE Triple Fin Smoke Seal

- 5075B** Brown
- 5075W** White
- 5075CL** Clear



Available in 36", 48", 72", 84", 96" and 108" lengths

TPE Batwing Smoke Seal (Kerf Press-in)

- 5021B** Brown
- 5021C** Charcoal
- 5021W** White

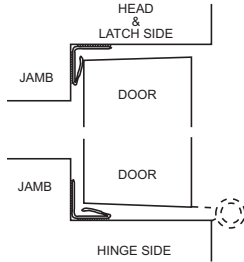


Fits Kerf 1/8" wide x 7/16" deep

Available in 36", 48", 84", 96" and 108" lengths

Self-Adhesive Gasketing

Adhesive bonds for permanent mounting once installed
Shelf life of adhesive products prior to installation is one year



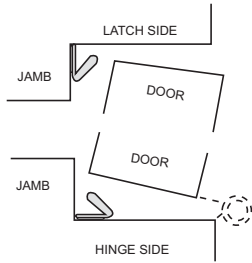
Rigid Black Vinyl Seal

PF180



*up to 3 hours metal doors, 60 minute wood doors

Available in 36", 48", 86", 96" & 120" lengths



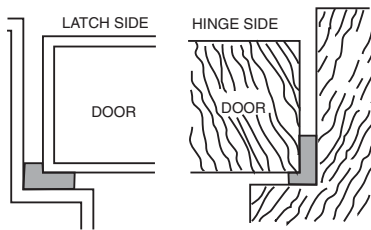
Q-Ion Foam Seal

PF183 Brown polyethylene liner, foam core



*up to 3 hours metal doors, 60 minute wood doors

Available in 36", 48", 86", 96" & 120" lengths



Neoprene Sponge Seal

		width	thickness
361	25' rolls	3/8"	x 3/16"
362	25' rolls	1/2"	x 1/4"

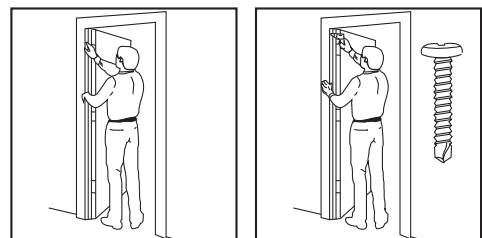
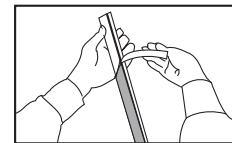
"FATT"

Fast Attach Two-Way Tape

Fast attach two way tape provides an easy and effective alternative to gasketing installation. Two way tape is applied to the metal housing insuring a quick and easy installation. Then for security, 3 tek-type self drilling screws are provided to further secure each piece of material to the frame stop. A no problem installation with no holes to drill.

To order add suffix "FATT" to product number. See price list for products available with this feature.

FATT IS NOT CLASSIFIED FOR USE ON FIRE DOORS.



Vinyl Seals

Properties

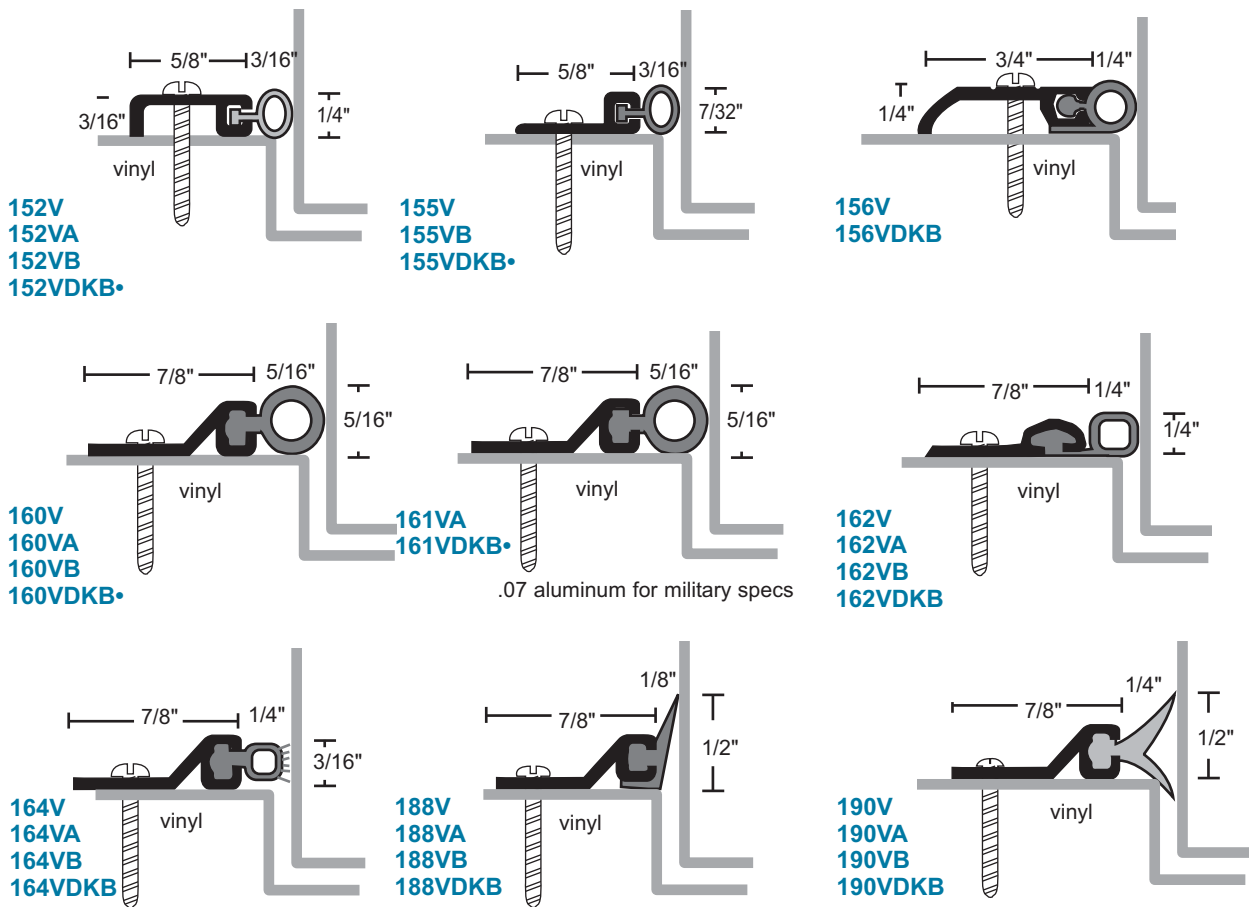
- Thermoplastic polymer: Polyvinyl Chloride (PVC)
- Economical
- Flame resistant
- Moisture resistant
- Temperature range 0°F to 140°F
- Oxidative degradation from age and exposure to Cold, Heat and UV causes hardening, loss of memory and resilience, cracking, crazing and discoloration

#6 x 3/4" Stainless Steel Sheet Metal Screws furnished
Screw holes slotted for adjustment

All vinyl seals this section

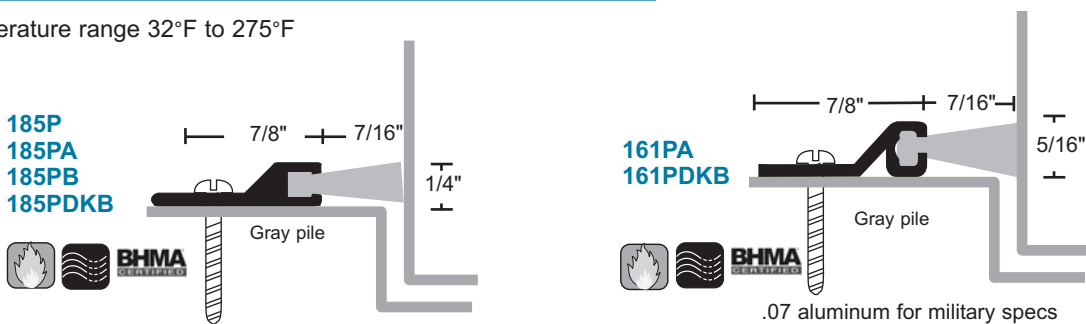


A - clear
B - gold
DKB - dark bronze
no suffix - mill
Vinyl is gray
(exception: •vinyl is black)



Polypropylene Pile Seals

Temperature range 32°F to 275°F



Neoprene Seals

Properties:

- Synthetic rubber polymer blend: Polychloroprene and EPDM
- Very good abrasion resistance, tensile strength and memory
- Flame resistant
- Moisture resistant
- Temperature range -30°F to 250°F
- Good resistance to ozone, sunlight and aging.
- BHMA Certified to ANSI/BHMA A156.22 performance tests for Heat, Cold, Air Infiltration and Smoke Infiltration

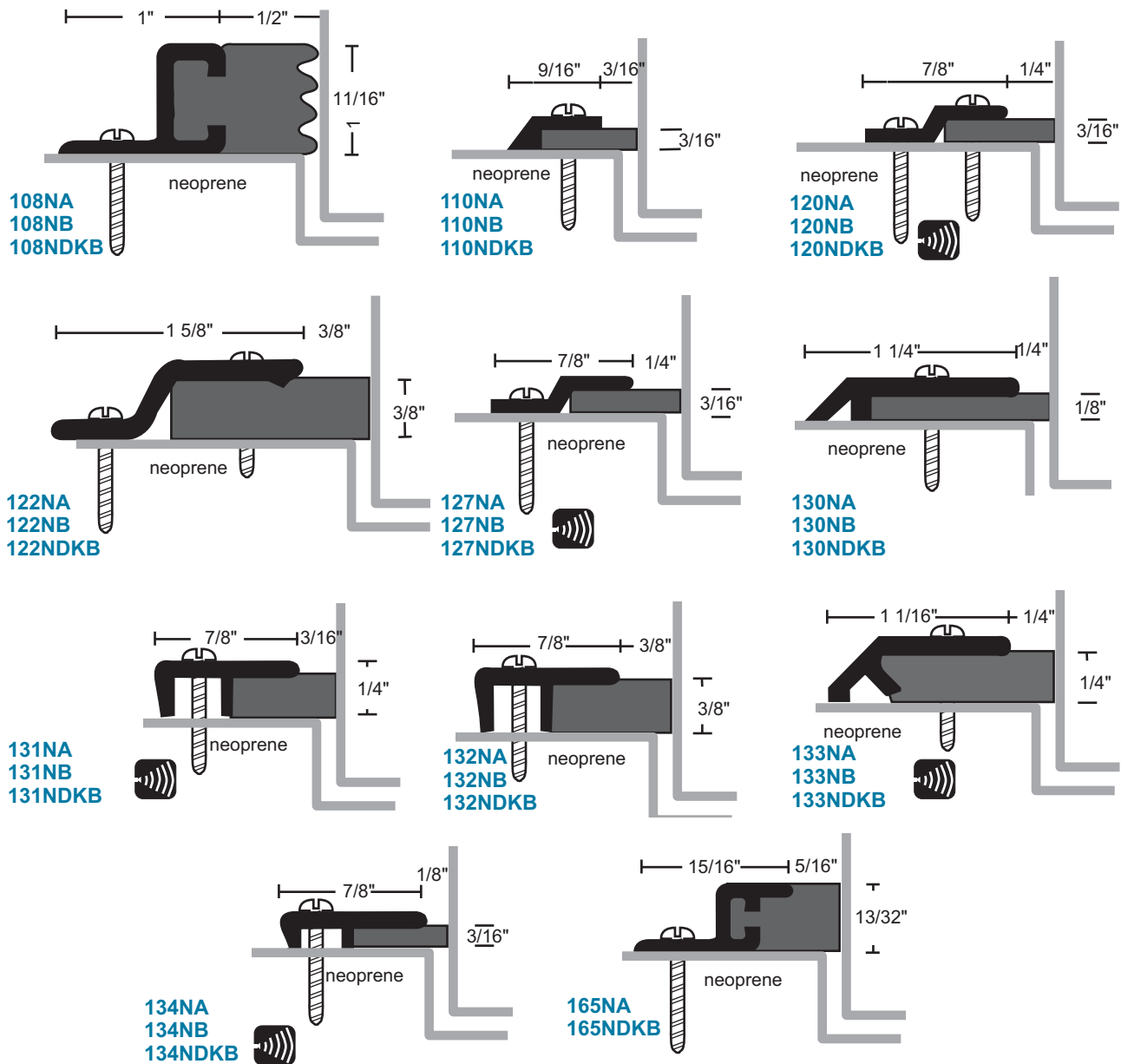
#6 x 3/4" Stainless Steel Sheet Metal Screws furnished.
Screw holes slotted for adjustment

All products this page



A - clear
B - gold
DKB - dark bronze
neoprene is black

Closed Cell Sponge



Neoprene Seals

Properties:

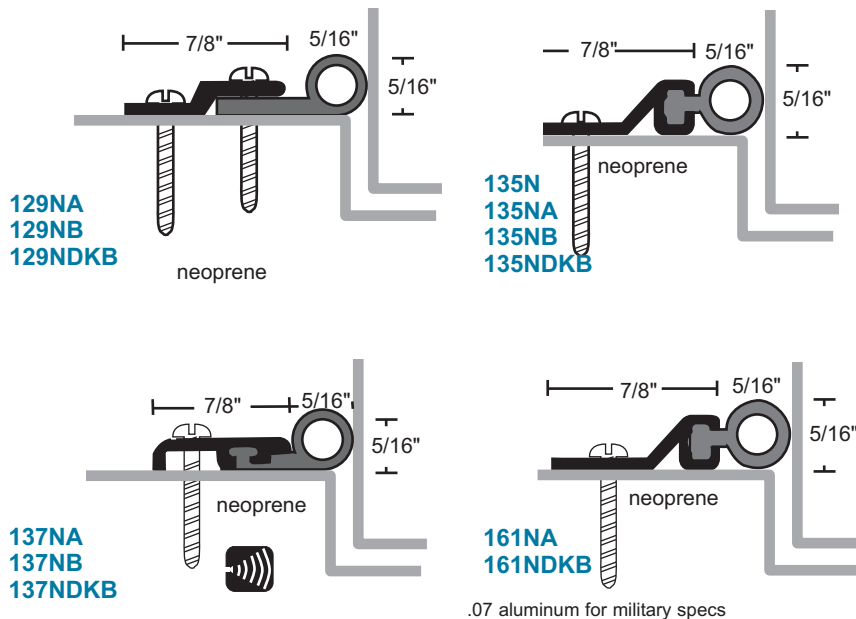
- Synthetic rubber polymer blend: Polychloroprene and EPDM
- Very good abrasion resistance, tensile strength and memory
- Flame resistant
- Moisture resistant
- Temperature range -30°F to 250°F
- Good resistance to ozone, sunlight and aging.
- BHMA Certified to ANSI/BHMA A156.22 performance tests for Heat, Cold, Air Infiltration and Smoke Infiltration

#6 x 3/4" Stainless Steel Sheet Metal Screws furnished
Screw holes slotted for adjustment

All neoprene seals this section



Dense Bulbs



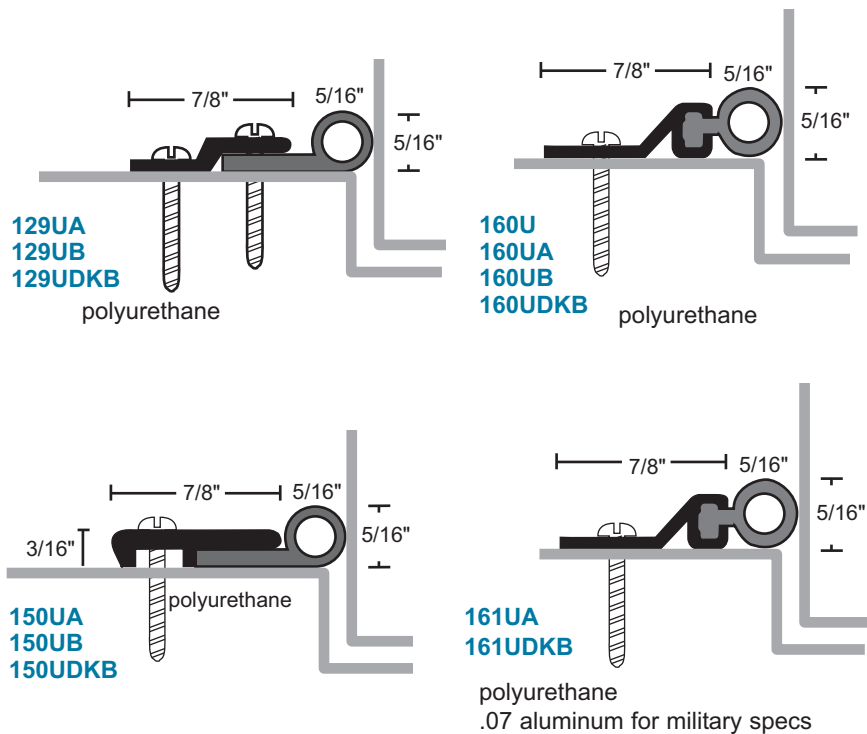
.07 aluminum for military specs

Polyurethane Seals

Properties:

- Very good abrasion resistance, tensile strength, memory and UV resistance.
- Flame resistant
- Moisture resistant
- Temperature range -65°F to 175°F

#6 x 3/4" Stainless Steel Sheet Metal Screws furnished
Screw holes slotted for adjustment



All polyurethane seals this section



- A - clear
- B - gold
- DKB - dark bronze
- no suffix - mill
- neoprene is black
- polyurethane is black

Neoprene Perimeter Seals

Polyurethane Perimeter Seals

Silicone Seals

Properties:

- Synthetic rubber polymer: Polysiloxane
- Excellent flexibility and memory
- Flame resistant
- Moisture resistant
- Temperature range -100°F to 500°F, remains flexible at extreme temperatures
- Excellent resistance to ozone, UV and aging.
- Recommended for areas using FM200 or Halon Fire Suppression Systems
- BHMA Certified to ANSI/BHMA A156.22 performance tests for Heat, Cold, Air Infiltration and Smoke Infiltration

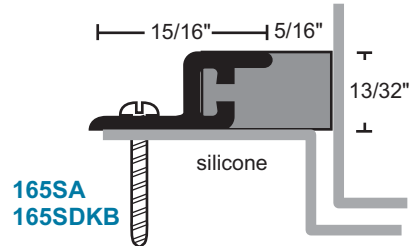
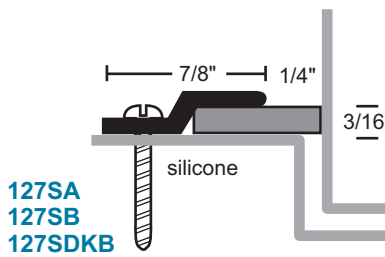
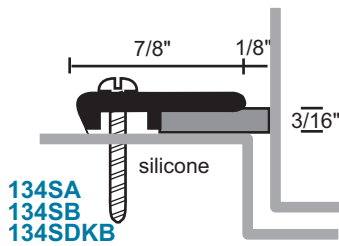
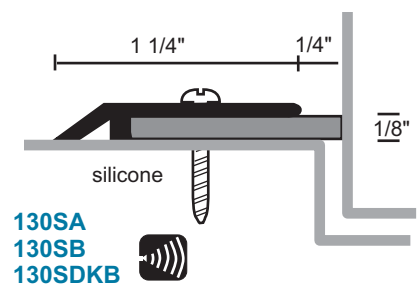
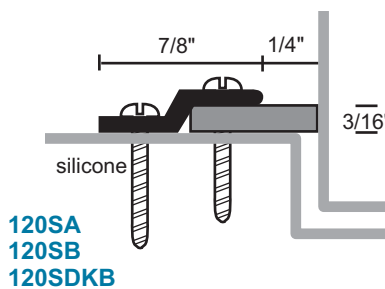
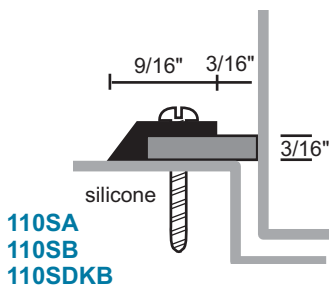
#6 x 3/4" Stainless Steel Sheet Metal Screws furnished.
Screw holes slotted for adjustment

All products this page



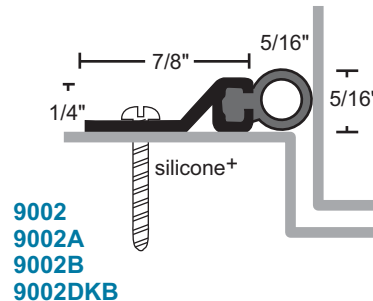
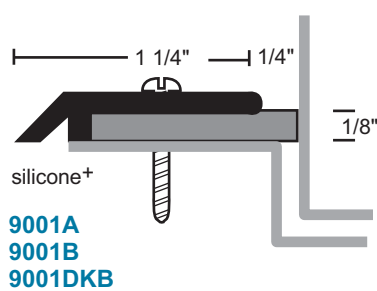
A - clear
B - gold
DKB - dark bronze
no suffix - mill
silicone sponge is gray

Closed Cell Sponge



Silicone Plus

Specially formulated to withstand greater temperature extremes while providing maximum protection against air infiltration. Silicone Plus gasket material is tan.



Silicone Seals

Properties:

- Synthetic rubber polymer: Polysiloxane
- Excellent flexibility and memory
- Flame resistant
- Moisture resistant
- Temperature range -100°F to 500°F, remains flexible at extreme temperatures
- Excellent resistance to ozone, UV and aging.
- Recommended for areas using FM200 or Halon Fire Suppression Systems
- BHMA Certified to ANSI/BHMA A156.22 performance tests for Heat, Cold, Air Infiltration and Smoke Infiltration

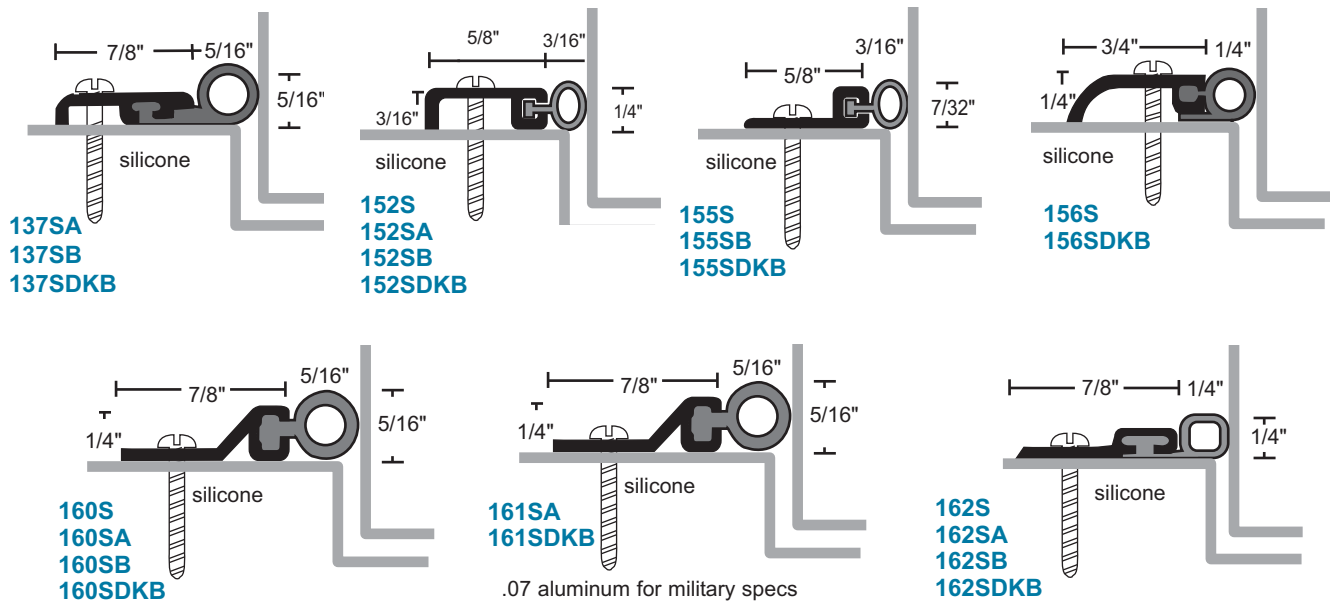
#6 x 3/4" Stainless Steel Sheet Metal Screws furnished
Screw holes slotted for adjustment

All silicone seals this section



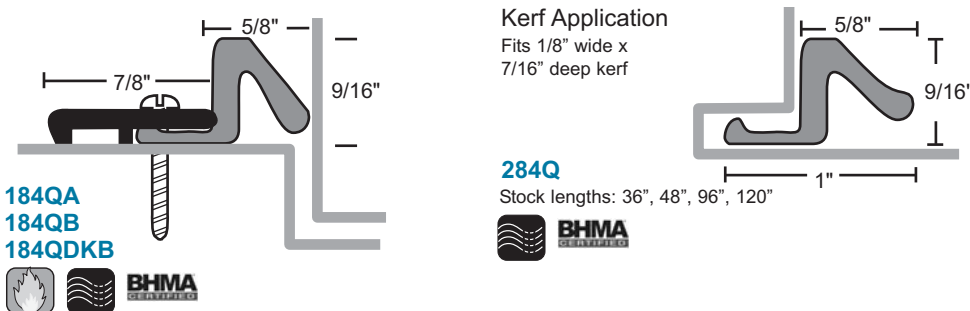
- A** - clear
- B** - gold
- DKB** - dark bronze
- no suffix** - mill dense silicone is black
- (exception: 137 silicone is gray)

Dense Bulbs



Q-Lon® Foam Seals

Brown polyethylene liner with foam core



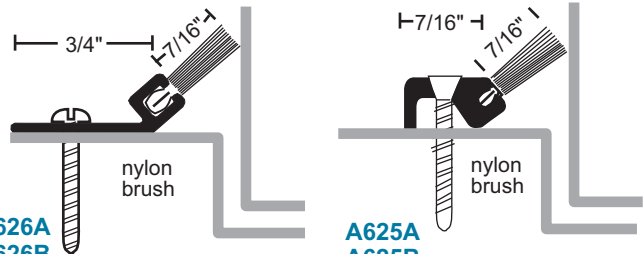
Nylon Brush Seals

Properties:

- Synthetic polymer: Polyamide
- Excellent abrasion resistance, flexibility and memory
- Moisture resistant
- Retains insecticides well
- Temperature range -70°F to 160°F
- BHMA Certified to ANSI/BHMA A156.22 performance tests for Heat, Cold, Air Infiltration and Smoke Infiltration in most common profiles as indicated by BHMA Certified symbol.
- Not effective against water penetration

#6 x 3/4" Stainless Steel Sheet Metal Screws furnished.
Screw holes slotted for adjustment.

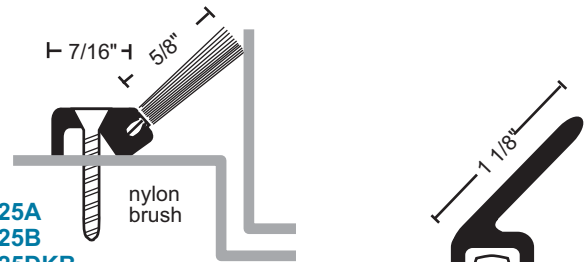
- A** - clear with gray brush
- B** - gold with black brush
- DKB** - dark bronze with black brush
- no suffix** - mill with gray brush



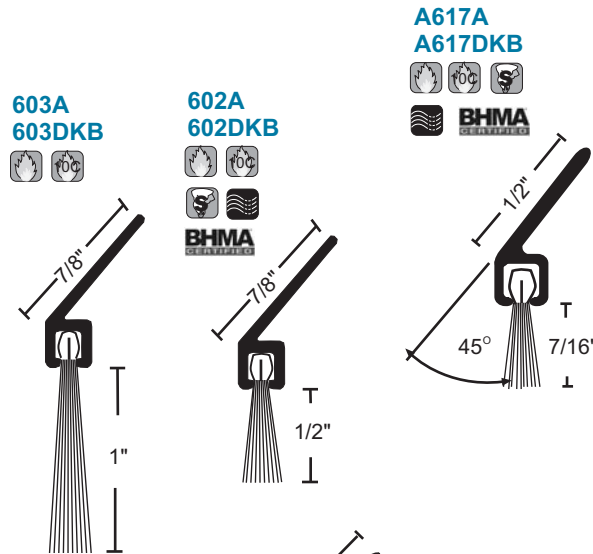
A626A
A626B
A626DKB



A625A
A625B
A625DKB



F625A
F625B
F625DKB



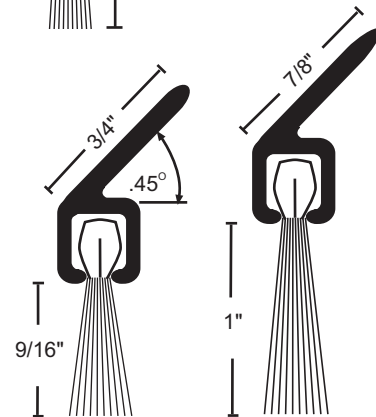
603A
603DKB



602A
602DKB



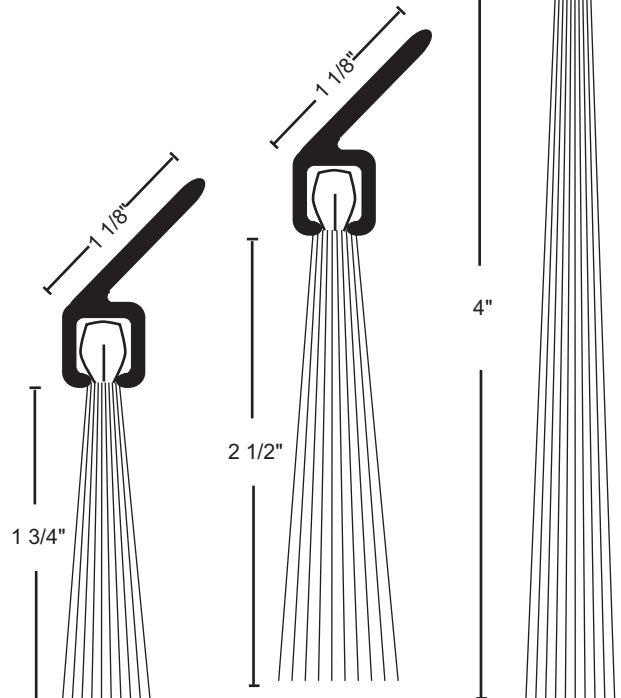
A617A
A617DKB



C619A
C619DKB



D620A
D620B
D620DKB



G622A
G622DKB



H623A
H623DKB



I-624A
I-624DKB



* up to 3 hours metal doors, 1 hour wood doors.

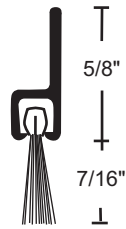
#6 x 3/4" Stainless Steel Sheet
Metal Screws furnished. Screw
holes slotted for adjustment.



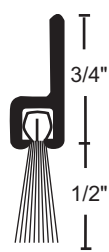
600
600A
600B
600DKB



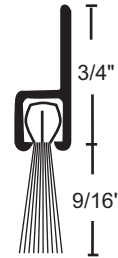
601
601A
601B
601DKB



A605A
A605B
A605DKB



B606A
B606B
B606DKB



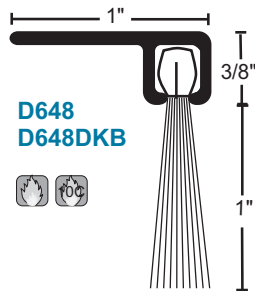
C607A
C607B
C607DKB



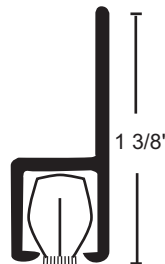
OV633A
OV633B
OV633DKB



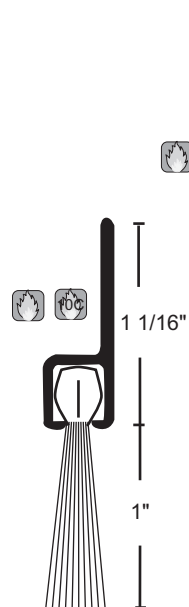
OV634A
OV634B
OV634DKB



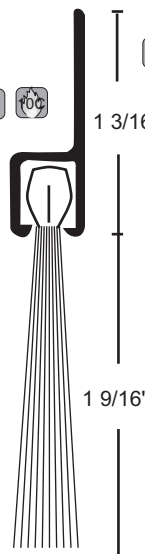
D648
D648DKB



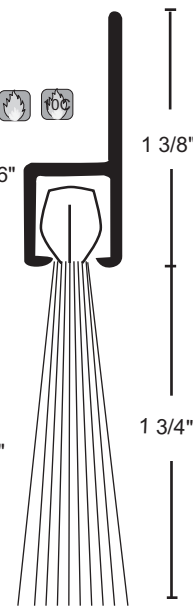
I-615A
I-615B
I-615DKB



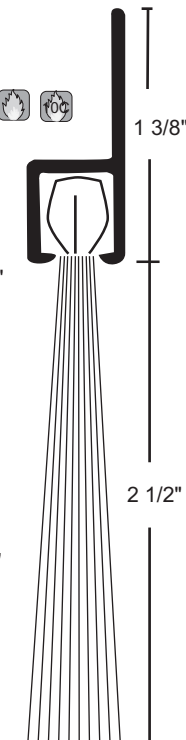
D608A
D608B
D608DKB



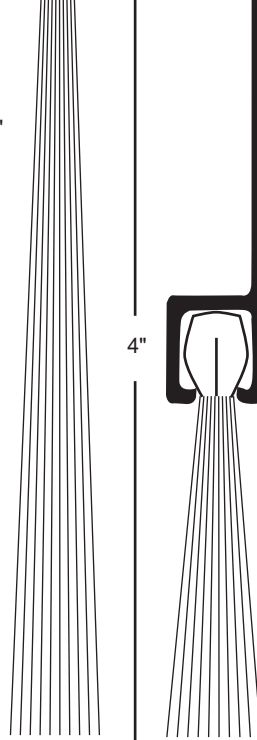
E609A
E609B
E609DKB



G610A
G610B
G610DKB



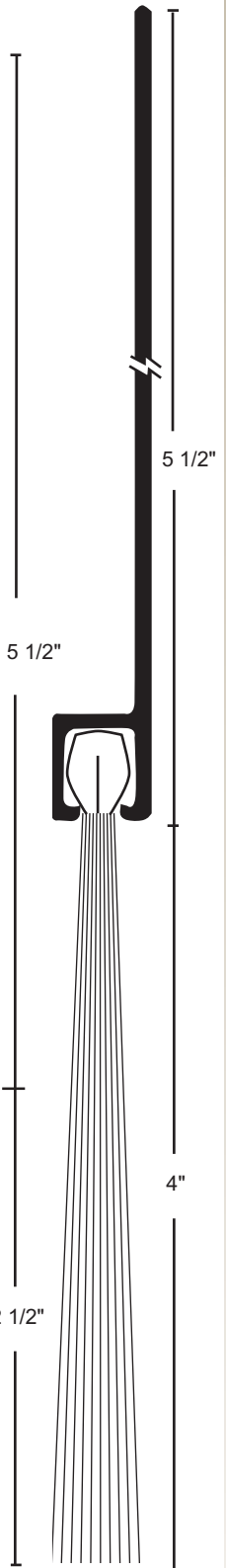
H612A
H612B
H612DKB



G611A
G611DKB



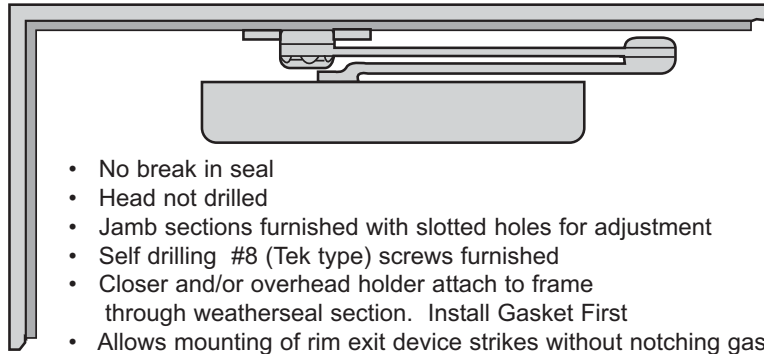
H614A
H614DKB



I-616A
I-616DKB



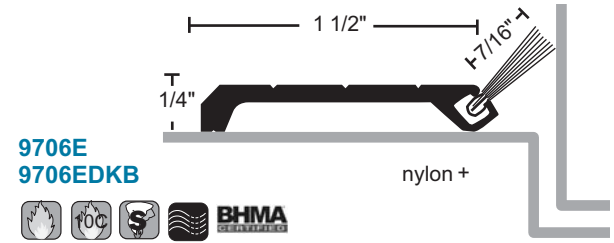
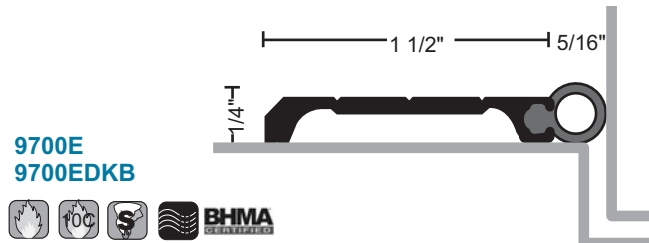
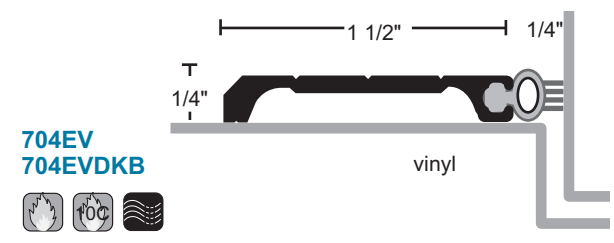
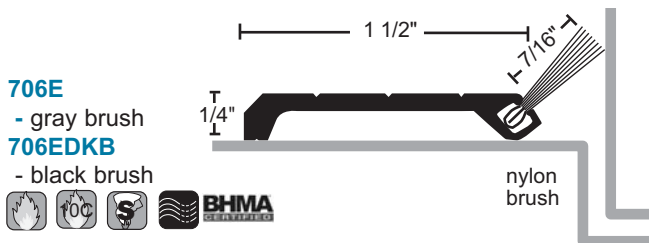
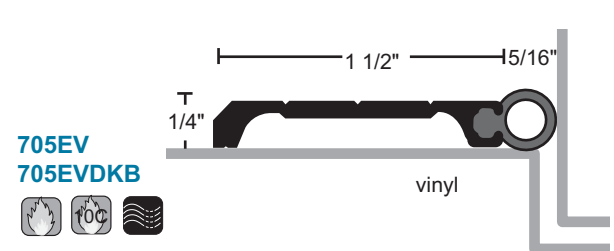
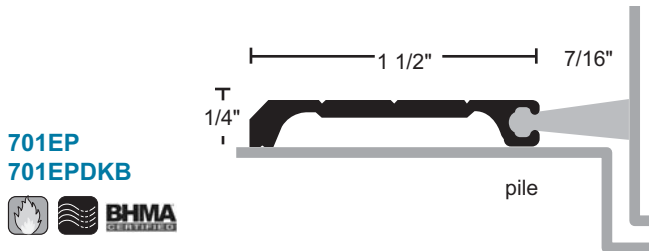
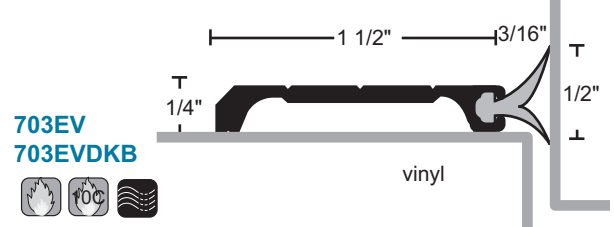
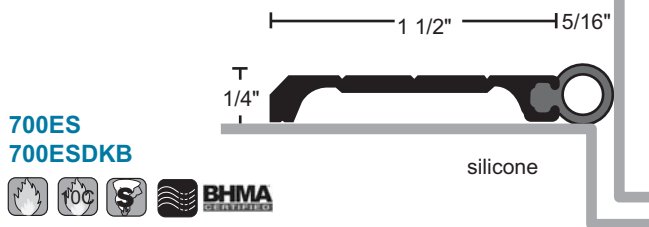
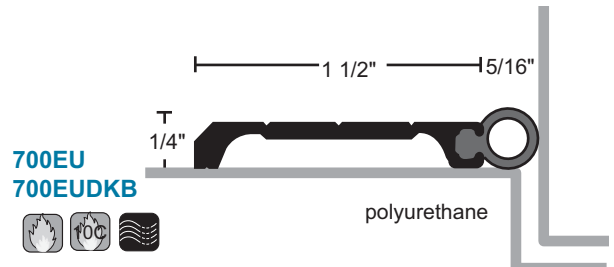
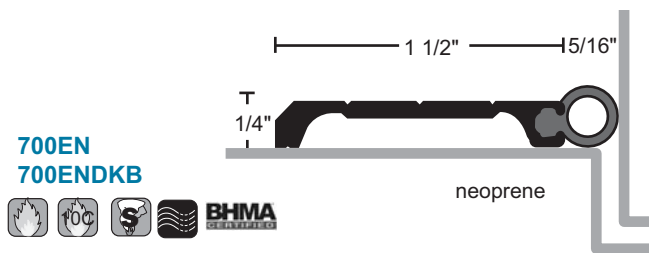
Perimeter Seals Compatible with Parallel Arm Closers



- No break in seal
- Head not drilled
- Jamb sections furnished with slotted holes for adjustment
- Self drilling #8 (Tek type) screws furnished
- Closer and/or overhead holder attach to frame through weatherseal section. Install Gasket First
- Allows mounting of rim exit device strikes without notching gasketing

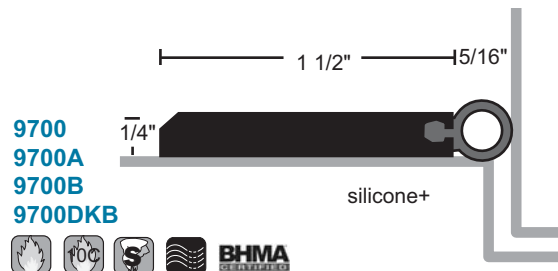
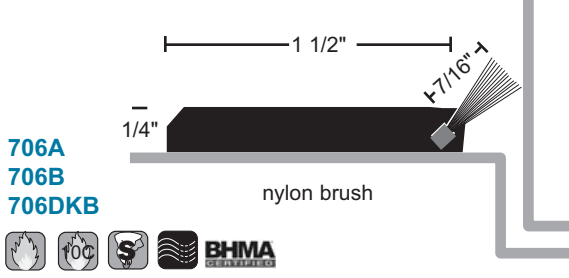
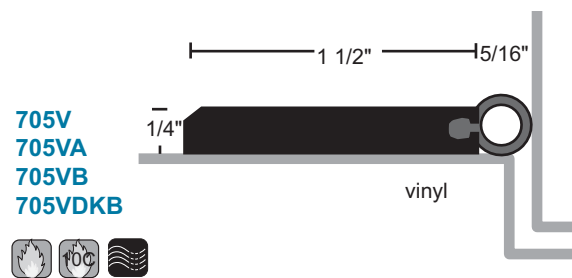
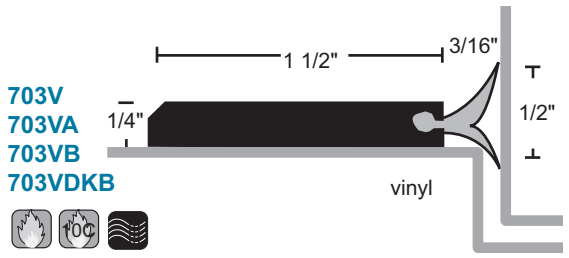
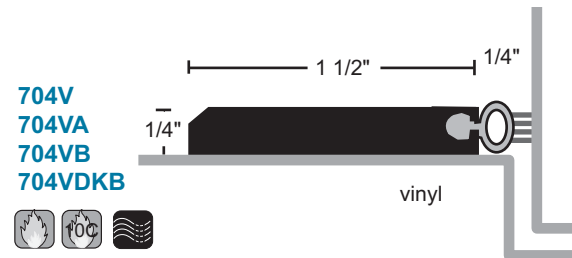
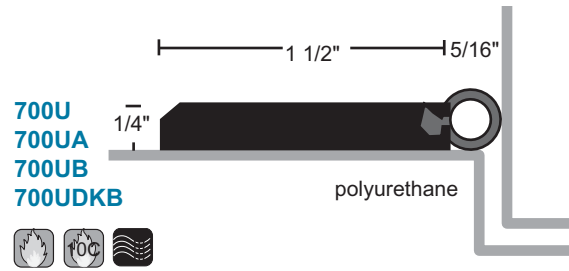
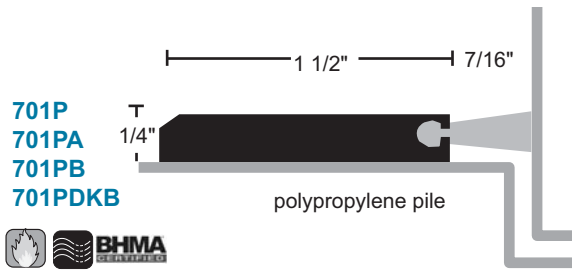
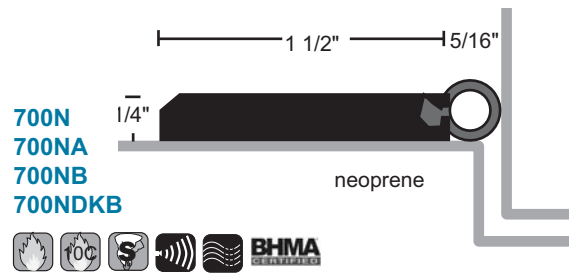
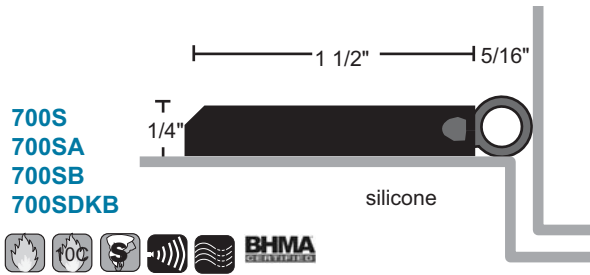
A - clear
B - gold
DKB - dark bronze
no suffix - mill
vinyl & pile are gray
neoprene, silicone, & polyurethane are black, nylon+ & silicone+ are tan

Perimeter Seals Compatible with Parallel Arm Closers



Perimeter Seals Compatible with Parallel Arm Closers

Profiles on this page may be cut to fit narrow frame stops at additional charge. Specify "cut to width" on order.



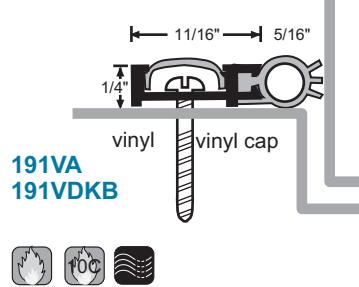
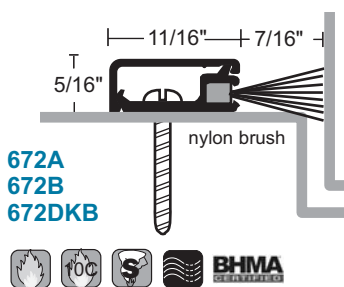
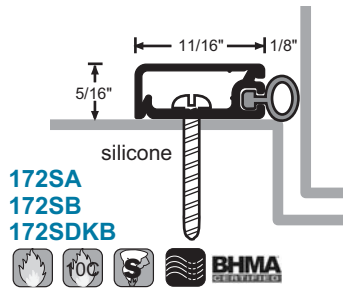
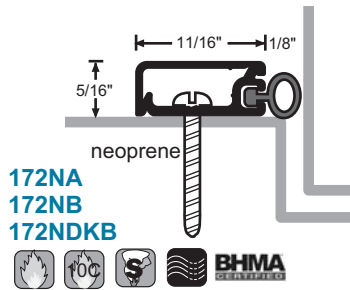
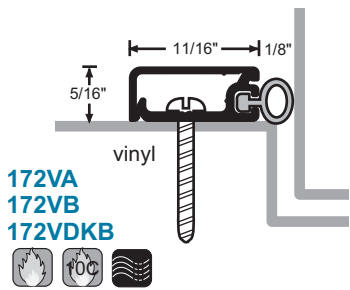
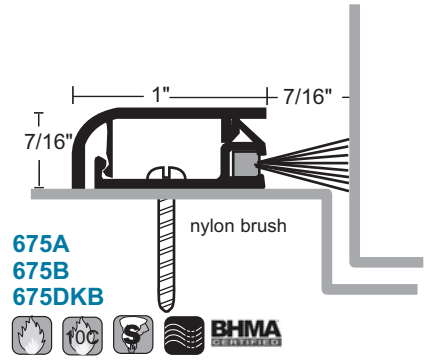
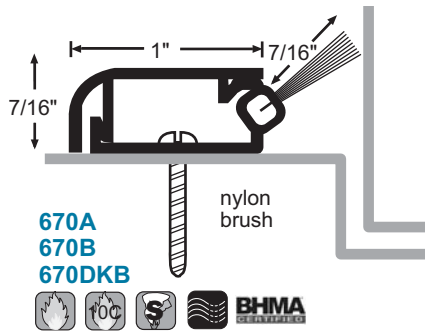
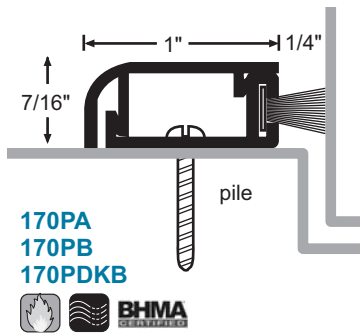
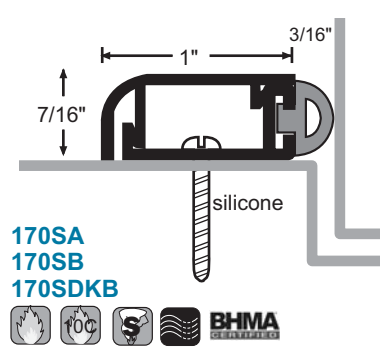
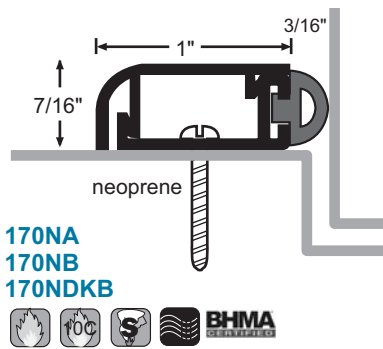
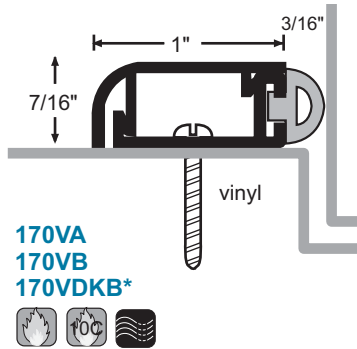
Perimeter Seals Compatible with Parallel Arm Closers

Concealed Fastener Seals

Snap-on cover conceals screw heads for cleaner appearance

#6 x 3/4" Stainless Steel Sheet Metal Screws furnished.
Screw holes slotted for adjustment

A - clear
B - gold
DKB - dark bronze
vinyl & pile are gray
*vinyl is black
neoprene & silicone are black
nylon brush is gray with clear
anodized metal;
black with gold and DKB metal



Allseal® Gasketing

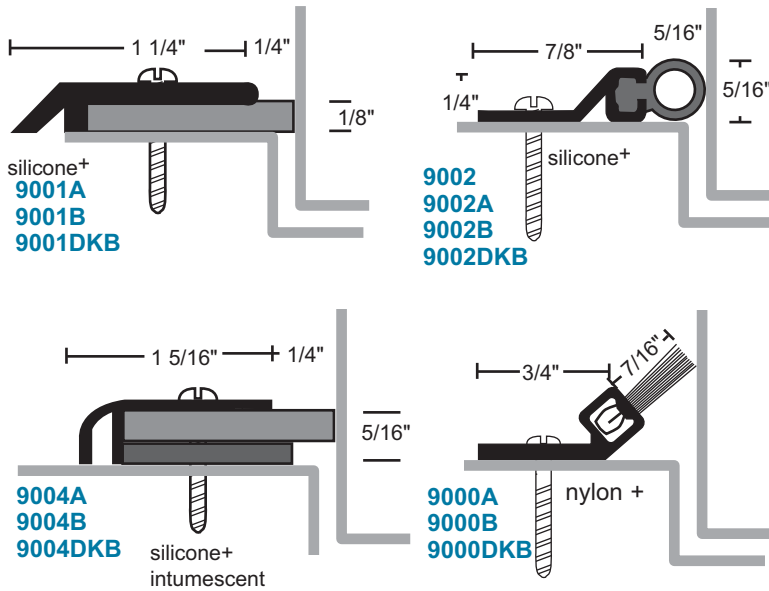
Specially formulated to withstand greater temperature extremes while providing maximum protection against air infiltration. Color of Allseal gasket material is Tan.

All products this page



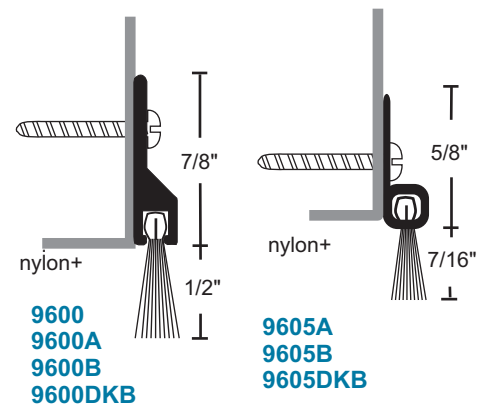
- A - clear
- B - gold
- DKB - dark bronze
- no suffix - mill

Perimeter Seals

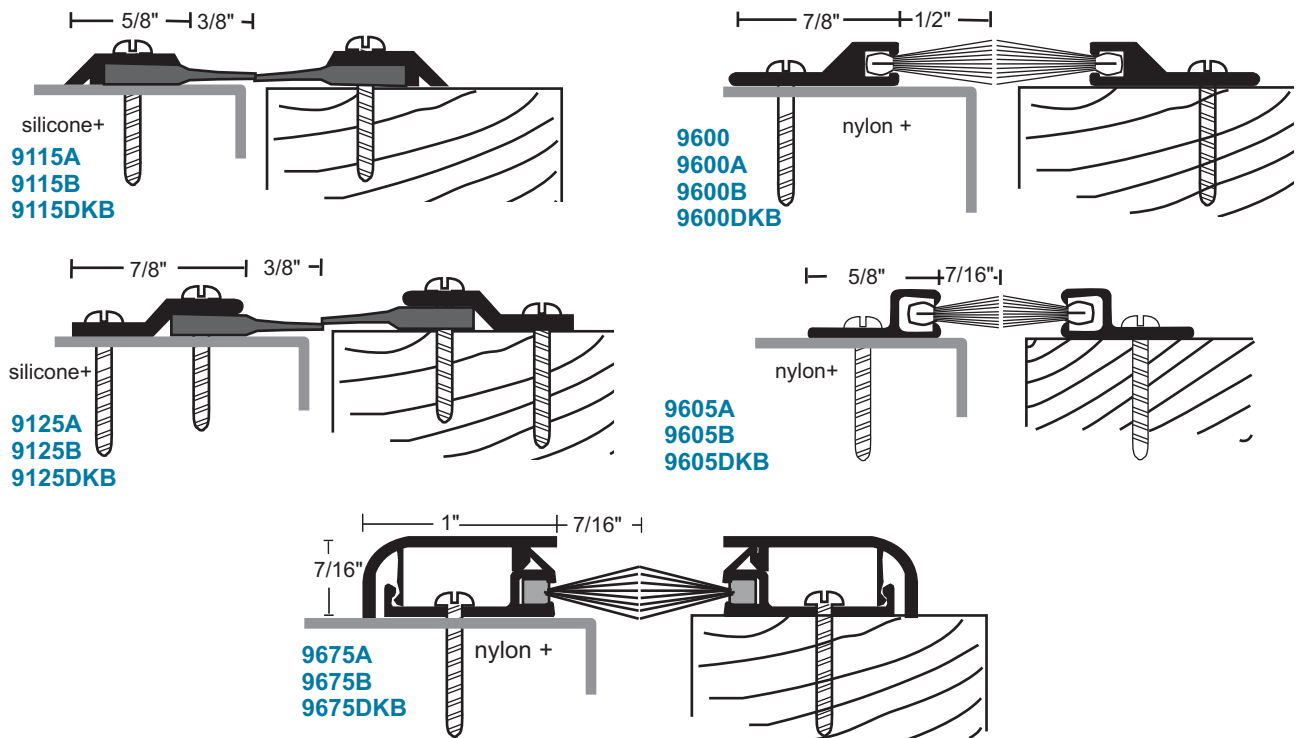


#6 x 3/4" Stainless Steel Sheet Metal Screws furnished. Screw holes slotted for adjustment

Perimeter Seals or Sweeps



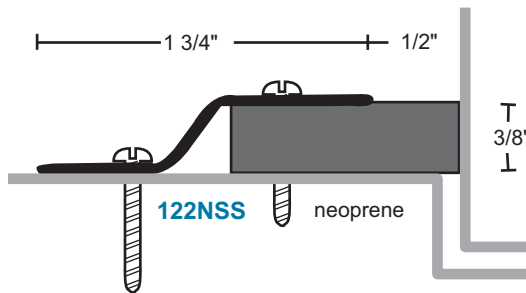
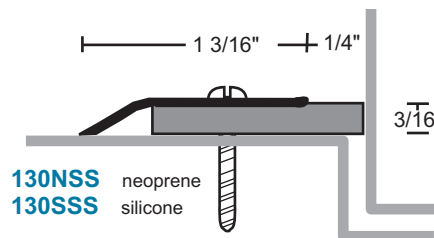
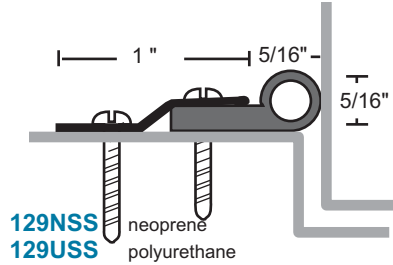
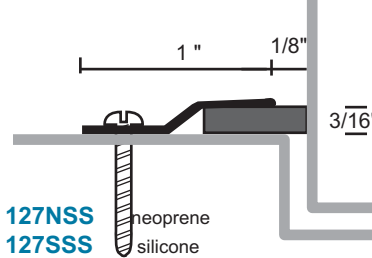
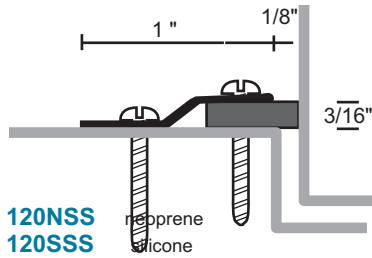
Astragal Seals



Stainless Steel

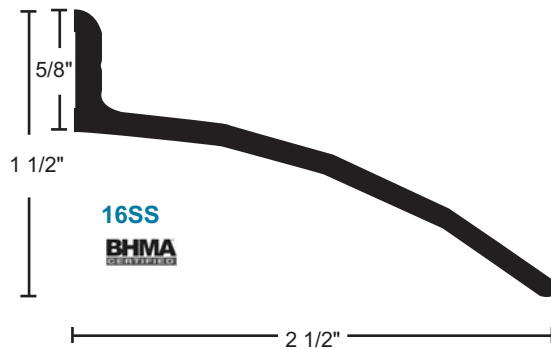
Perimeter Seals

All perimeter seals this section

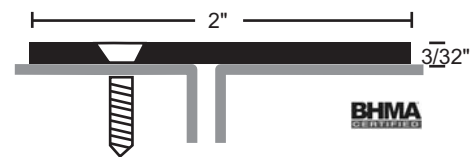
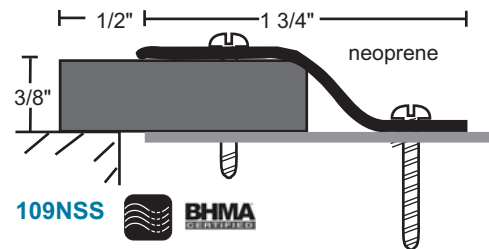


#6 X 3/4 stainless steel SMS furnished. Screw holes slotted for adjustment.

Drip Strip



Astragal Seals

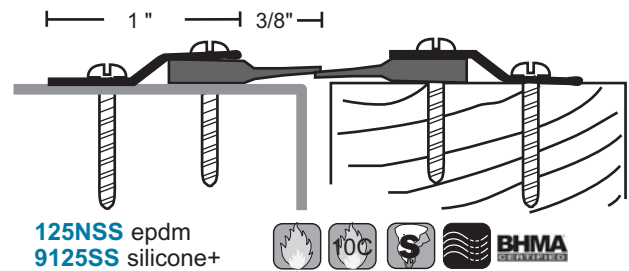
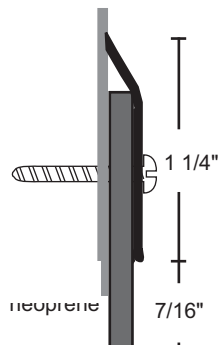


Door Sweep

200NSS neoprene BHMA CERTIFIED

200USS polyurethane

200SSS silicone BHMA CERTIFIED



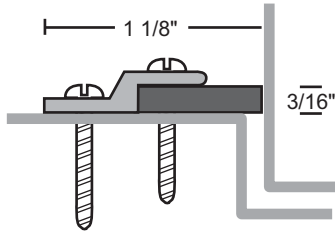
#304 Stainless steel mill finish #2B

Available: Polished (US32, 629), suffix - "POL" or Brushed #4 finish (US32D, 630), suffix - "Brushed"
neoprene & polyurethane are black, epdm & silicone are gray, silicone+ is tan

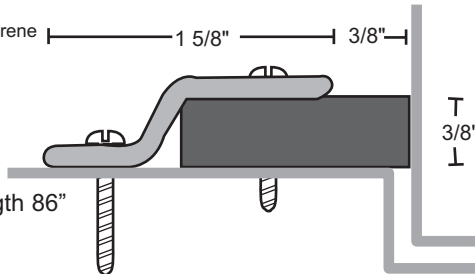
Architectural Bronze

Perimeter Seals

120NBR neoprene
120SBR silicone

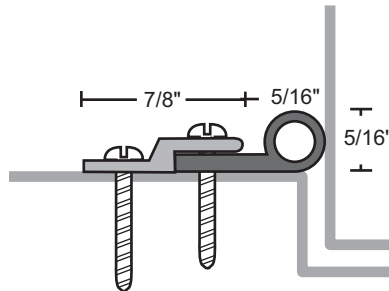


122NBR neoprene

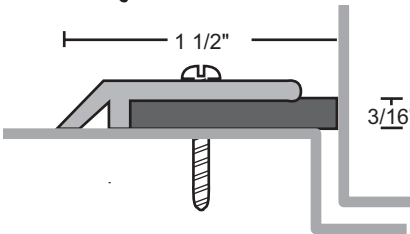


Maximum length 86"

129NBR neoprene



129UBR polyurethane



130NBR neoprene
130SBR silicone



Door Sweep



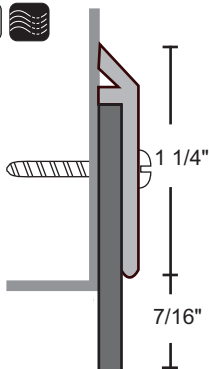
200NBR neoprene



200SBR silicone

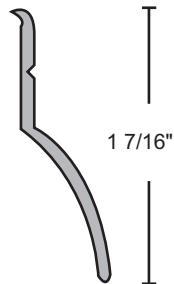


200UBR polyurethane



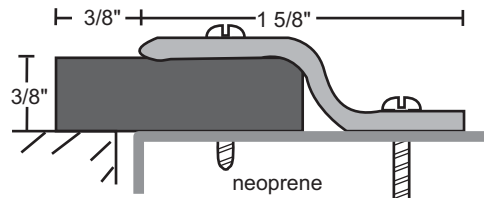
Drip Strip

9/16"



17BR BHMA

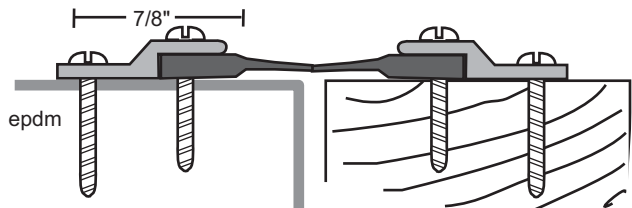
Astragal Seals



109NBR



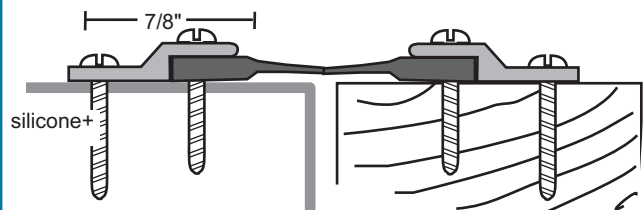
Maximum length 86"



125NBR



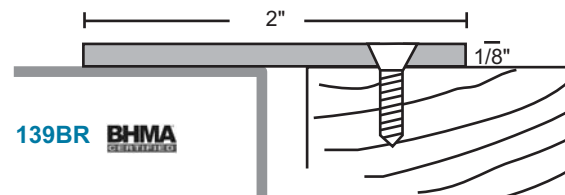
order as set to receive two pieces



9125BR



order as set to receive two pieces



139BR BHMA

Available lead lined .030" thick lead - suffix "LD"

neoprene & polyurethane are black
silicone & EPDM are gray
silicone+ is tan

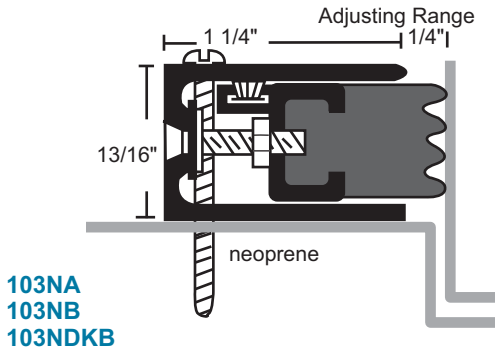
Architectural bronze satin finish (728), similar to US4
Optional finishes: Polished (721), suffix "POL"
Dark Oxidized oil rubbed (722) similar to US10B, suffix DKB

Adjustable Perimeter Seals

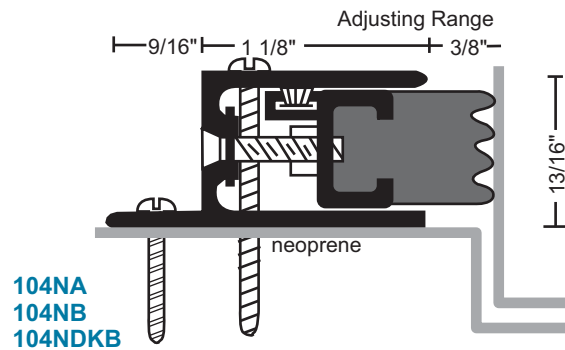
- Adjustment screws on 10" centers allow adjustment without re-positioning mounting location.

#6 x 3/4" or #6 x 1 1/2" Stainless Steel SMS furnished

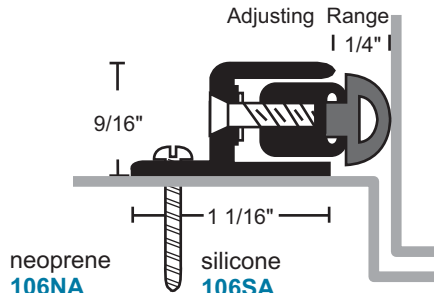
A - clear
B - gold
DKB - dark bronze
Neoprene & 106 silicone are black
107 silicone is gray



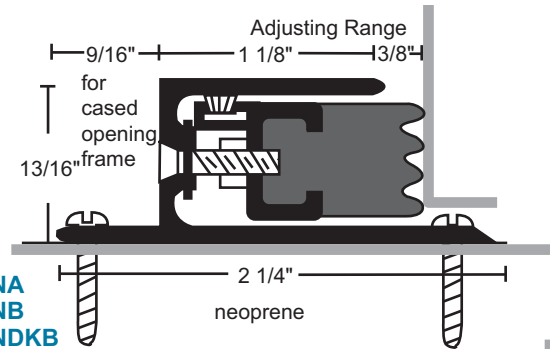
103NA
103NB
103NDKB



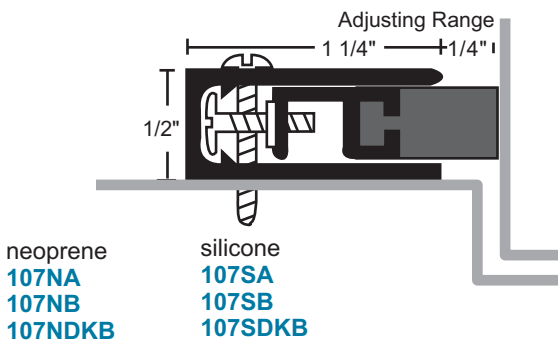
104NA
104NB
104NDKB



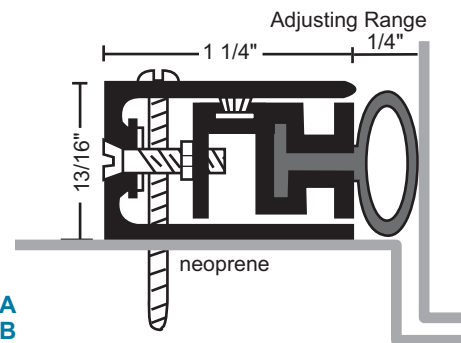
silicone
106SA
106SB
106NDKB
106SDKB



105NA
105NB
105NDKB



silicone
107SA
107SB
107NDKB
107SDKB



1038NA
1038NB
1038NDKB

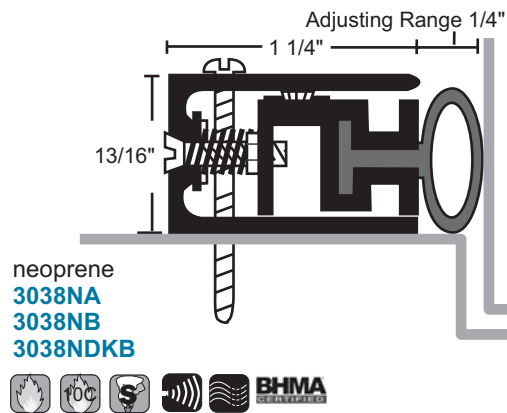
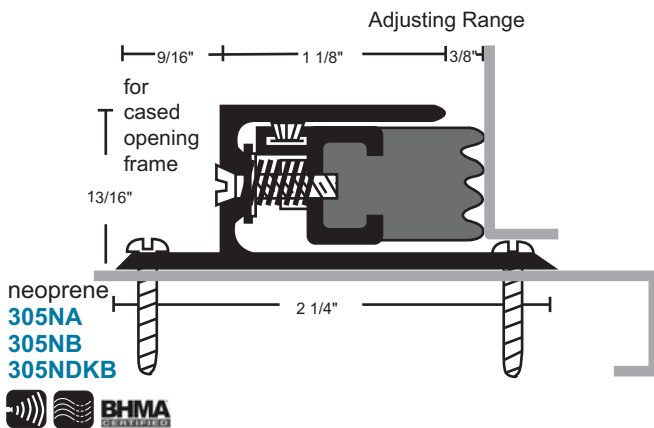
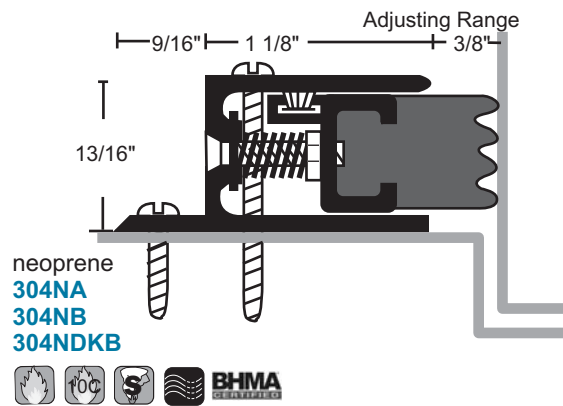
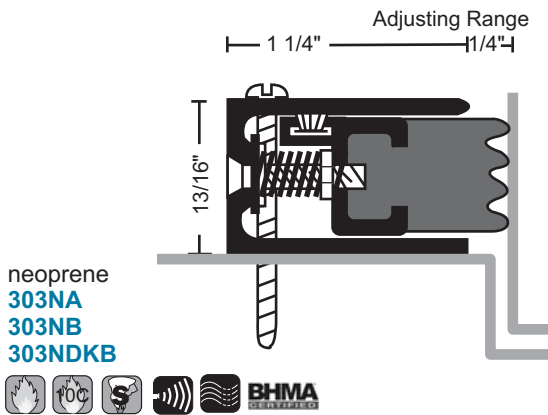
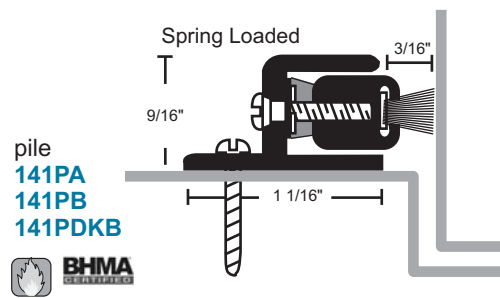
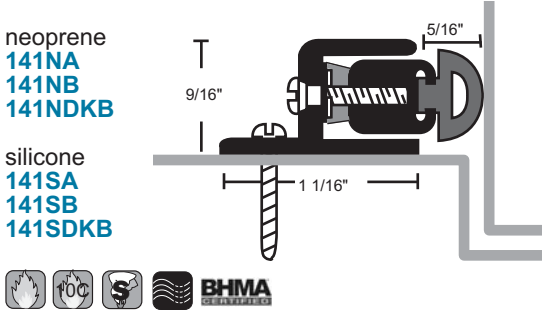


Spring Adjustable Perimeter Seals

- Adjustment screws on 10" centers allow adjustment without re-positioning mounting location.
- Spring-loaded to maintain pressure for the most effective seal

#6 x 3/4" or #6 x 1 1/2" Stainless Sheet Metal Screws furnished

A - clear
 B - gold
 DKB - dark bronze
 neoprene & silicone are black
 pile is gray



Spring Adjustable Perimeter Seals

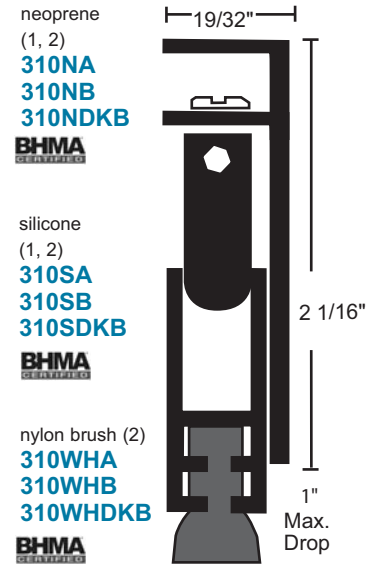
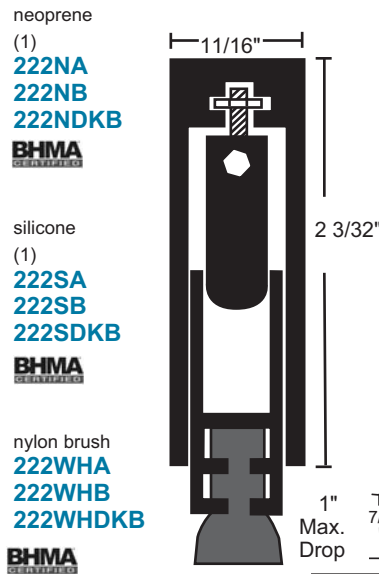
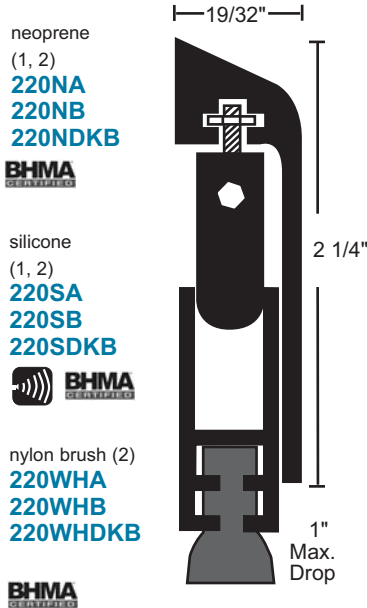
Automatic Door Bottoms - Surface

- Use with a threshold for maximum sealing capability
- Nylon brush recommended for carpet applications where no threshold is provided
- Specify the exact net length required to avoid field sizing. Automatic Door Bottoms 36" and longer may be cut up to 4" in the field, under 36" should not be cut in the field, order net length
- Minimum length 11", maximum length 60" (except 780)
- End caps available - please specify. For 220, 221, 229, 310 end caps provide door handing

All products this page



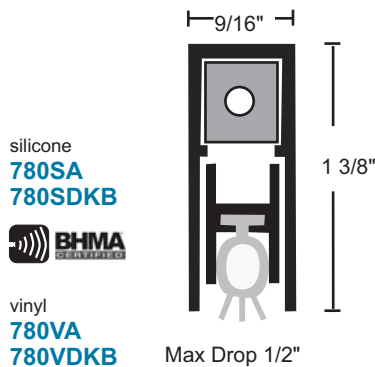
silicone & vinyl are gray
neoprene is black
brush is gray with mill finish
and stainless steel; black
with gold, DKB and brass



Drop Bar with Nylon Brush - suffix "WH"

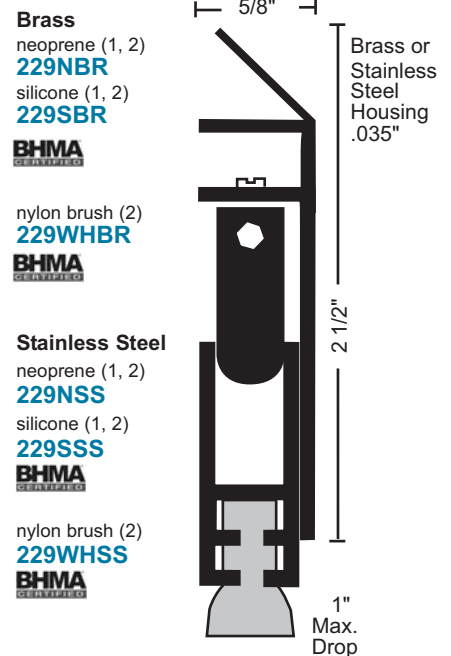
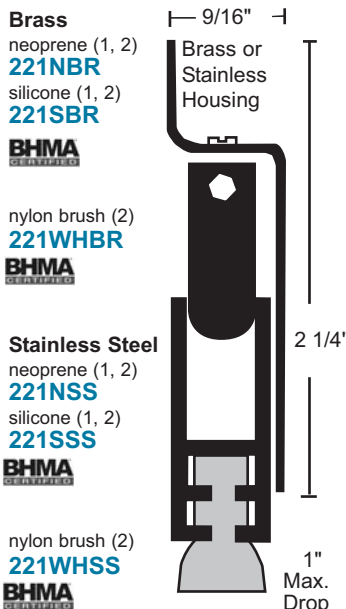
Slimline

Endurance Tested to 5 Million Cycles



Available 23" to 96" in length
End caps furnished standard.
Will work half mortised on swing or sliding doors!

Brass and Stainless Steel

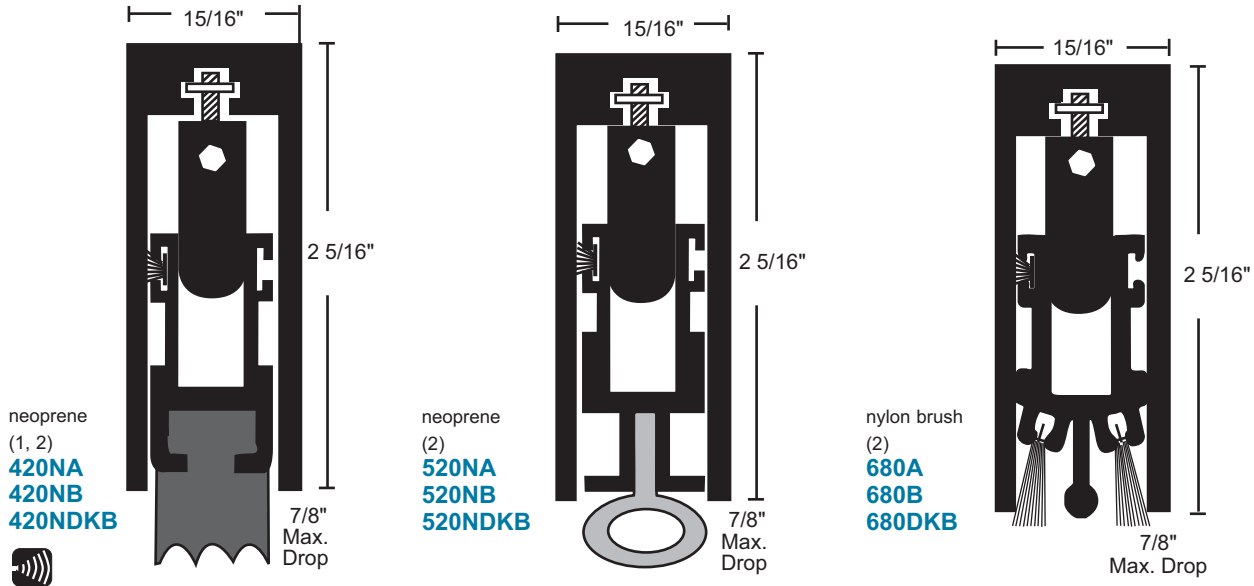


1. Lead insert available for radiation shield - specify "lead-lined"
2. Door Bottom is handed. Right hand supplied unless specified. Field reversible.

Automatic Door Bottoms - Heavy Duty Surface

- Use with a threshold for maximum sealing capability.
- Nylon brush recommended for carpet applications where no threshold is provided.
- Specify the exact net length required to avoid field sizing. Automatic Door Bottoms 36" and longer may be cut up to 4" in the field, under 36" should not be cut in the field, order net length.
- Minimum length 11", maximum length 60"
- End caps furnished standard

All products this page



E-Z Touch

SURFACE

5/8" width



The EZ-Touch door bottom requires only 3 to 5 pounds of pressure to activate.

Perfect for accessibility applications and still provides an effective seal.

Available 23 1/4" net to 48" in length.

End caps available - please specify

- | | |
|----------------|----------------|
| neoprene | silicone |
| 223NA | 223SA |
| 223NB | 223SB |
| 223NDKB | 223SDKB |

Sliding or Pocket Doors Surface or Half Mortise - Heavy Duty

15/16" width



Designed for use on sliding or pocket doors. A series of actuating bars keep the seal parallel to the sill or threshold until the door is in the closed position.

Available 11" to 144" in length.

End caps not available

- neoprene (1)
421NA
421NB
421NDKB

1. Lead insert available for radiation shield - specify "lead-lined".
2. For half mortise applications specify HM in item number prior to finish (ie: 420NHMDKB).

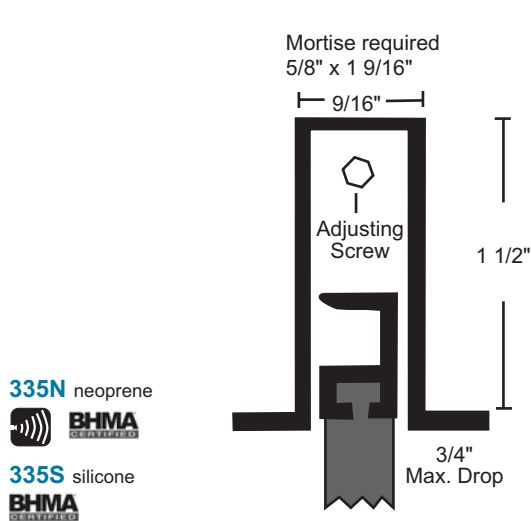
Automatic Door Bottoms - Mortise

- Use with a threshold for maximum sealing capability
- Nylon brush recommended for carpet applications where no threshold is provided
- Specify the exact net length required to avoid field sizing. Automatic Door Bottoms 36" and longer may be cut up to 4" in the field, under 36" should not be cut in the field, order net length.
- End caps available - please specify

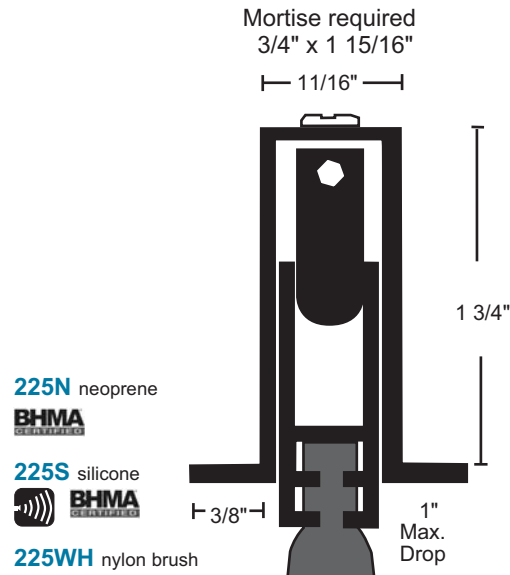
All products this page



neoprene is black
silicone, nylon brush
& vinyl are gray

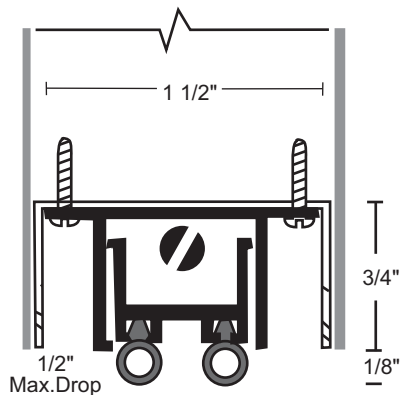


Available 23 1/4" net to 48" in length
Fits wood fire door mortise restrictions



Available 11" to 60" in length
Available with lead insert for radiation shield - specify "lead-lined"

Hollow Metal Doors



320N neoprene **BHMA**

320S silicone **BHMA**

320V vinyl

Fits in 1 5/8" x 3/4" channel. A "furring strip" may be used to lower automatic door bottom when a deeper channel is used.

Furnished 1/2" shorter than ordered to fit within net door size. (i.e. 36" is furnished 35 1/2") Length may be field cut up to 4".

Fire ratings apply to metal doors only.

#4 x 5/8" SMS furnished

Available 24" to 48" in length.

Automatic Door Bottoms - Heavy Duty Mortise

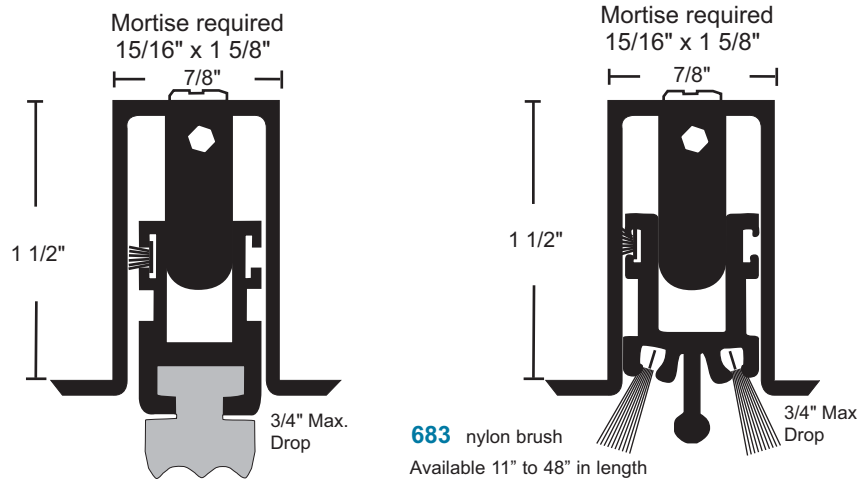
- Use with a threshold for maximum sealing capability
- Nylon brush recommended for carpet applications where no threshold is provided
- Specify the exact net length required to avoid field sizing.
Automatic Door Bottoms 36" and longer may be cut up to 4" in the field, under 36" should not be cut in the field, order net length.
- Clear anodized end caps furnished standard. DKB end caps available - please specify

All products this section



neoprene is black
nylon brush is gray
#4 x 5/8" SMS furnished

Fits Wood Fire Door Mortise Restrictions



423N neoprene

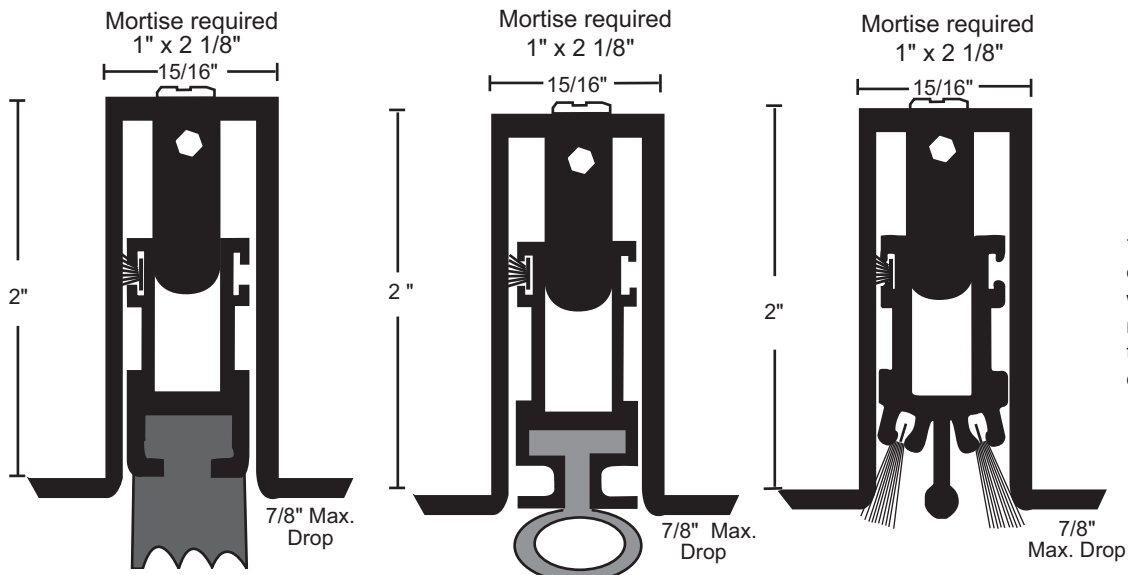


Available 11" to 48" in length
Available with lead insert for radiation shield - Specify "lead-lined"

683 nylon brush

Available 11" to 48" in length

All products this section



422N neoprene



Available 11" to 60" in length

Available with lead insert for radiation shield - specify "lead lined"

522N neoprene

Available 11" to 60" in length

682 nylon brush

Available 11" to 60" in length



*up to 3 hrs. metal doors, 45 minute wood doors (does not fit mortise restrictions of some wood door manufacturers)

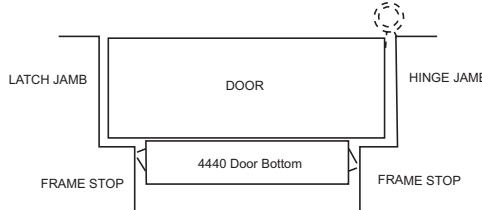
Dual Actuated (Hinge & Latch Edge) Automatic Door Bottoms

All products this page



WILL NOT FUNCTION ON PAIRS OF DOORS

- For pairs use matching single actuated door bottoms shown below
- Low compression & operating force
- Concealed fasteners



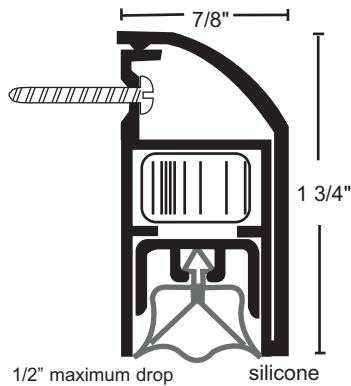
silicone is gray
gray brush with mill finish and clear anodized
black brush with gold and DKB

- A - clear
- B - gold
- DKB - dark bronze
- no suffix - mill

Surface

- silicone
4440SA
4440SB
4440SDKB

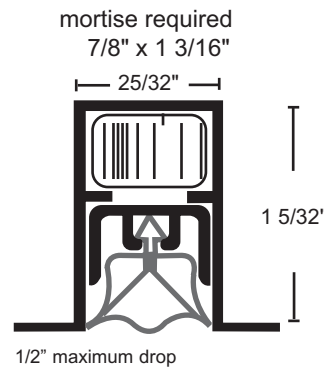
- nylon brush
4440WHA
4440WHB
4440WHDKB



Furnished 1 3/8" shorter than ordered to fit between stops on frame. (i.e. 36" is furnished 34 5/8")
#6x 3/4" TEK furnished

Mortise

- silicone
4447S
- nylon brush
4447WH



Furnished 1/4" shorter than ordered to fit net door width.
(i.e. 36" is furnished 35 3/4" net) #4 x 5/8" SMS furnished

Available 24" to 96" in length. May be field cut up to 3".

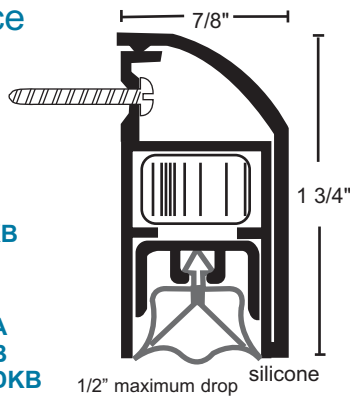
Single Actuated Automatic Door Bottoms

- Matches design of dual actuated door bottoms. For use on pairs of doors or field size for single doors
- Low compression & operating force!
- Concealed fasteners

Surface

- silicone
4441SA
4441SB
4441SDKB

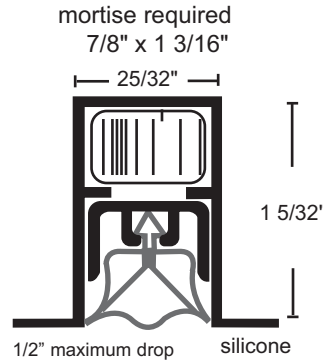
- nylon brush
4441WHA
4441WHB
4441WHDKB



#6x 3/4" TEK furnished

Mortise

- 4448S** silicone
- 4448WH** nylon brush



Furnished 1/4" shorter than ordered to fit net door size.
(i.e. 36" is furnished 35 3/4" net) #4 x 5/8" SMS furnished

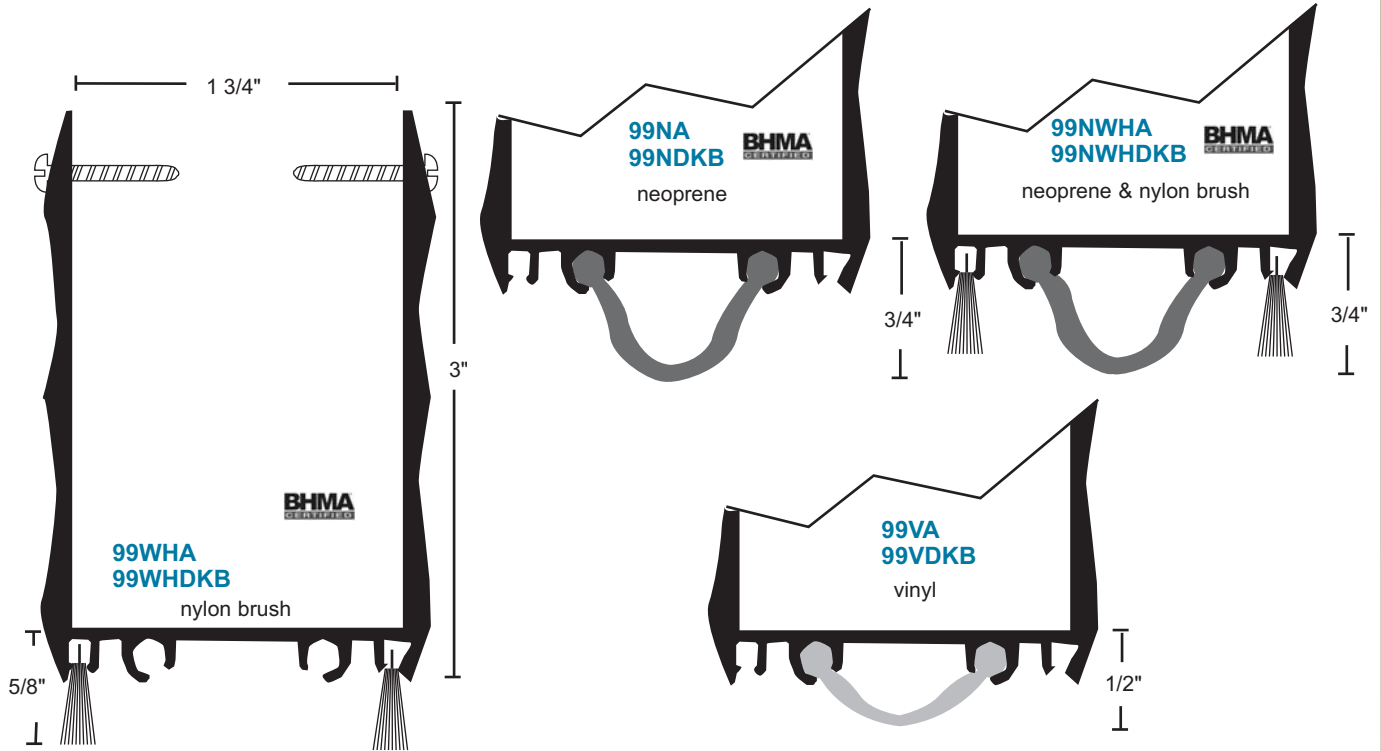
HANDED - NOT FIELD REVERSIBLE

Available 24" to 96" in length. May be field cut up to 3".

Extended Door Shoes

#6 x 3/4" Stainless Steel SMS furnished.

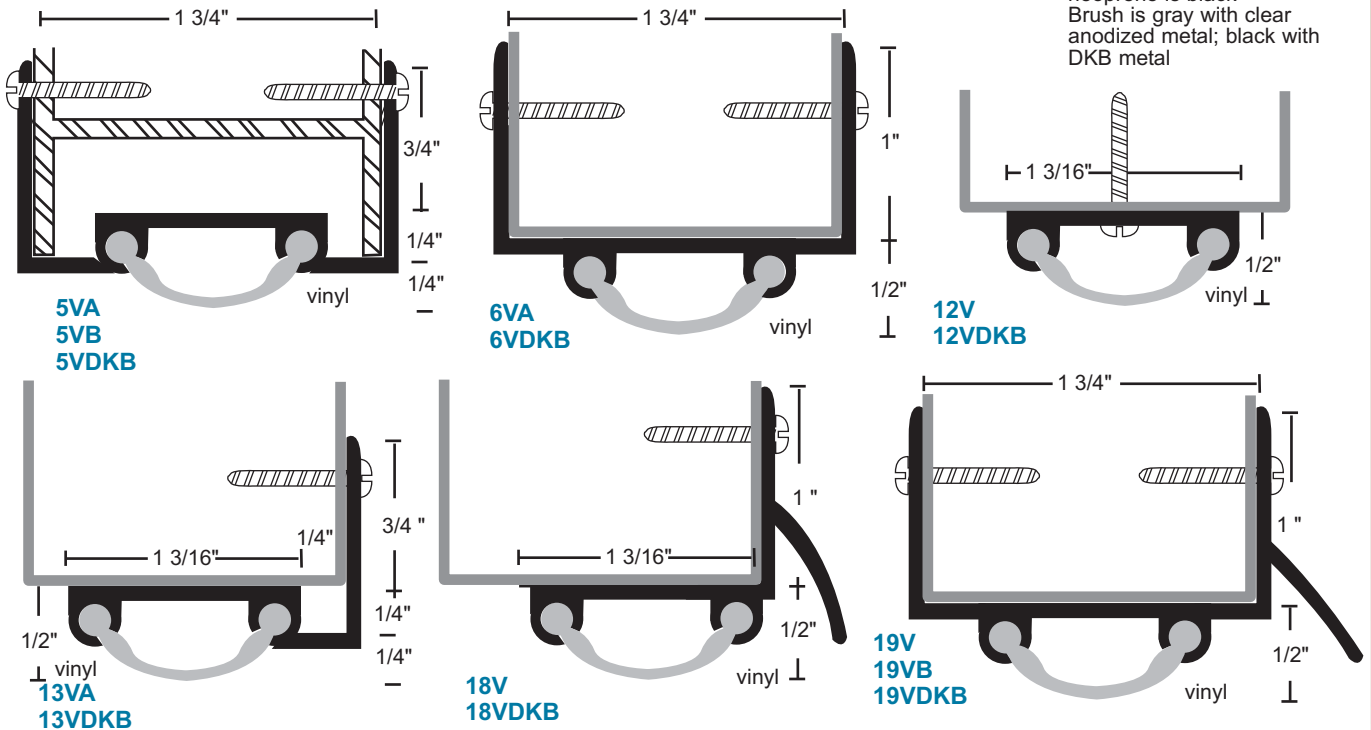
All products this page



Smooth Vinyl Door Shoes

#6 x 3/4" Stainless Steel Sheet Metal Screws furnished. Screw holes slotted for adjustment.

A - clear
 B - gold
 DKB - dark bronze
 no suffix - mill
 vinyl is gray
 neoprene is black
 Brush is gray with clear
 anodized metal; black with
 DKB metal



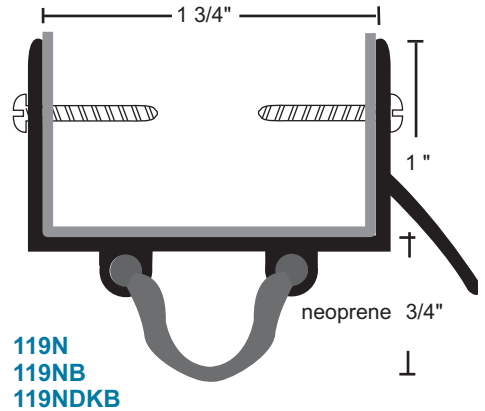
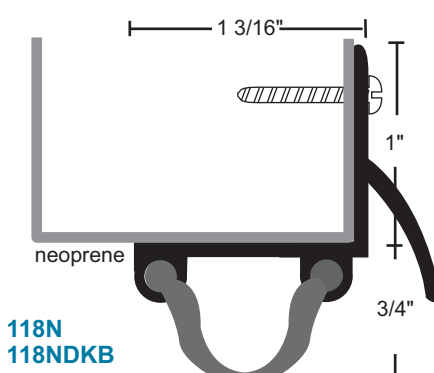
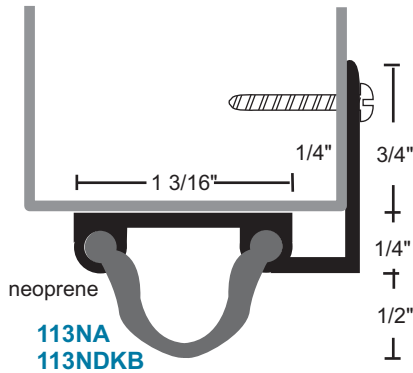
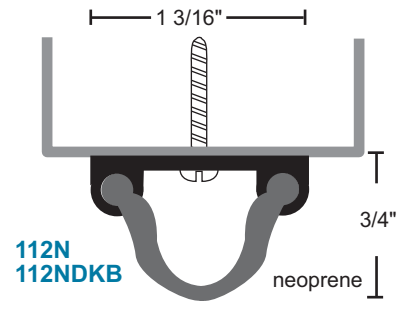
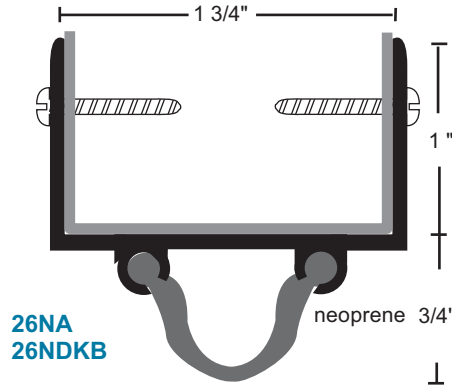
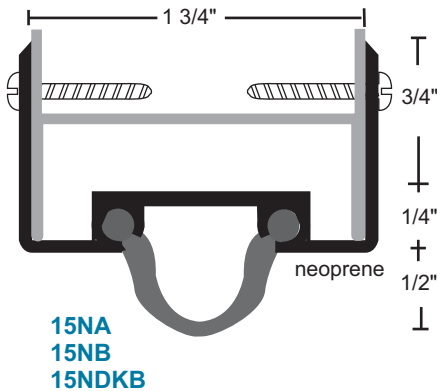
Neoprene Door Shoes

#6 x 3/4" Stainless Steel Sheet Metal Screws furnished.
Screw holes slotted for adjustment.

All products this page

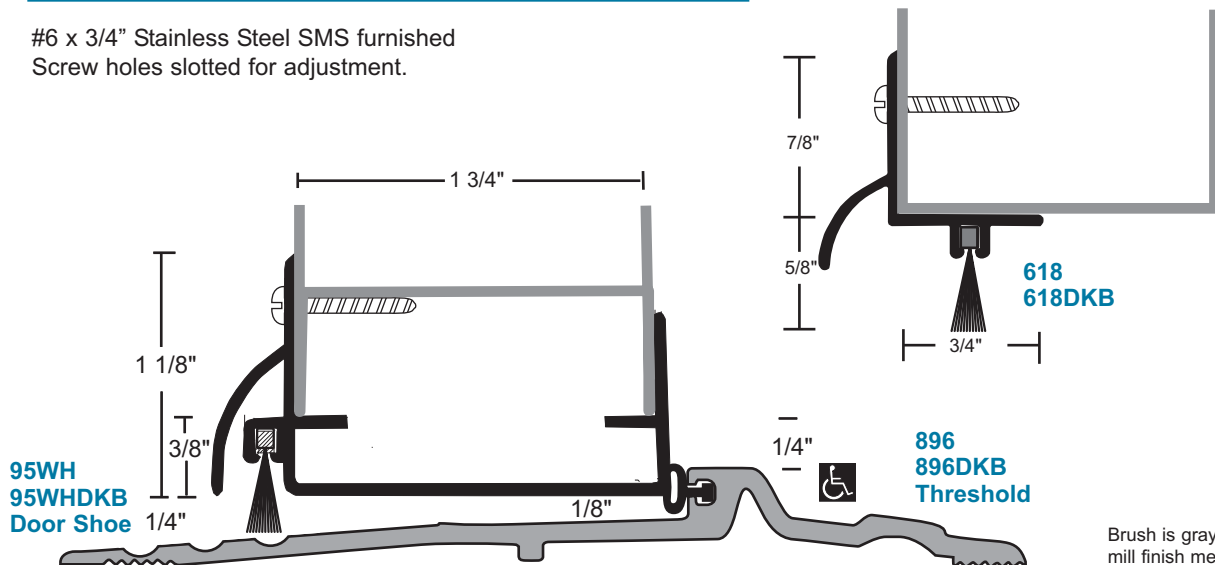


A - clear
B - gold
DKB - dark bronze
no suffix - mill
neoprene is black



Nylon Brush Door Shoes

#6 x 3/4" Stainless Steel SMS furnished
Screw holes slotted for adjustment.



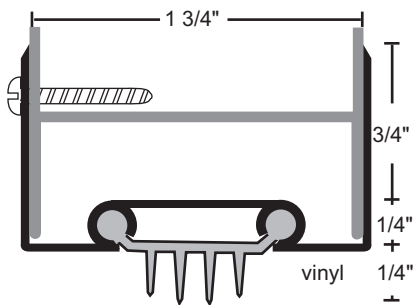
Designed for use on standard 3/4" undercut door used with NGP 896 V, N, or S ADA compliant threshold as shown

Brush is gray with mill finish metal; black with DKB metal

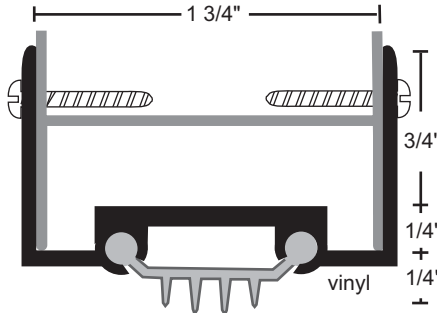
Finned Vinyl Door Shoes

#6 x 3/4" Stainless Steel SMS furnished.
Screw holes slotted for adjustment.

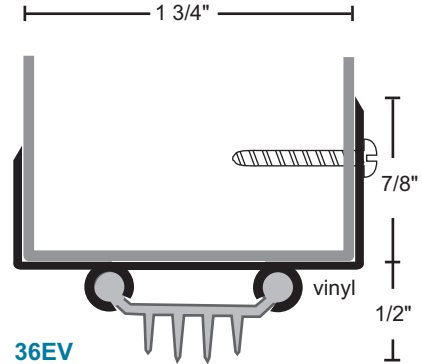
All vinyl door shoes this section



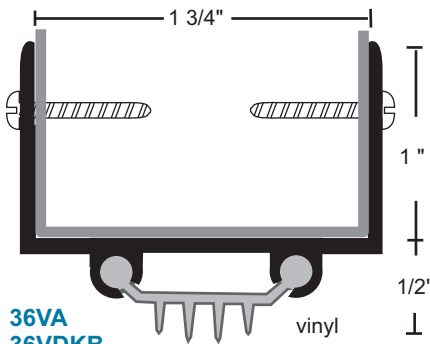
**35EV
35EVDKB**



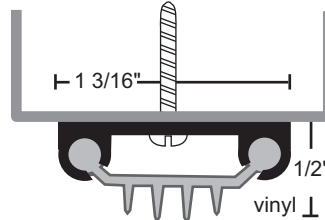
**35VA
35VB
35VDB**



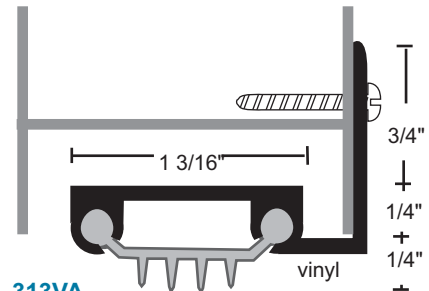
**36EV
36EVDKB**



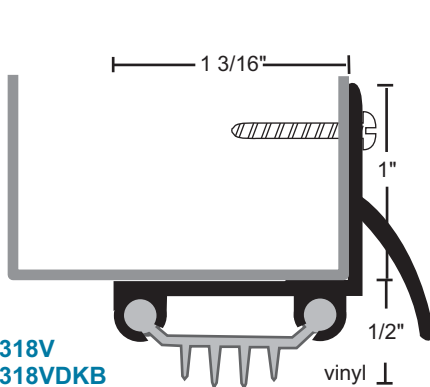
**36VA
36VDB**



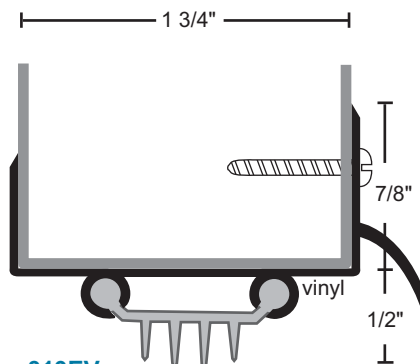
**312V
312VDB**



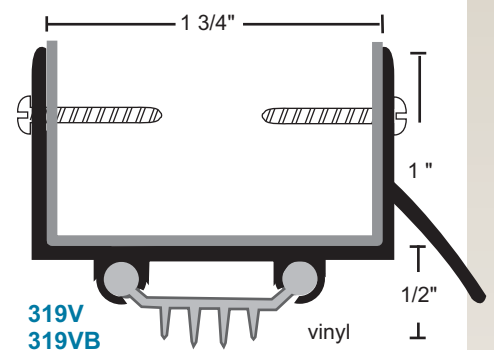
**313VA
313VDB**



**318V
318VDB**



**319EV
319EVDKB**

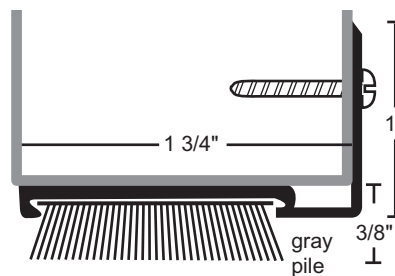


**319V
319VB
319VDB**

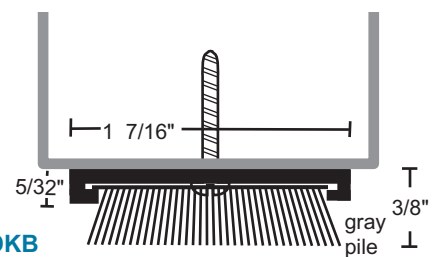
Pile Door Shoes

#6 x 3/4" Stainless Steel
SMS furnished.

**154P
154PDKB**



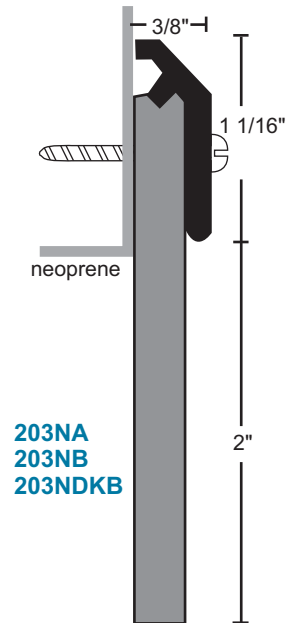
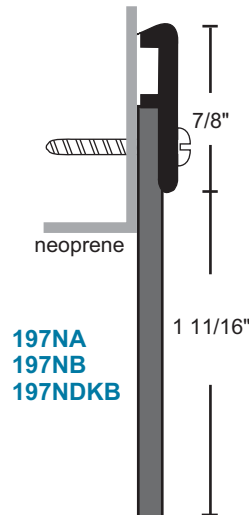
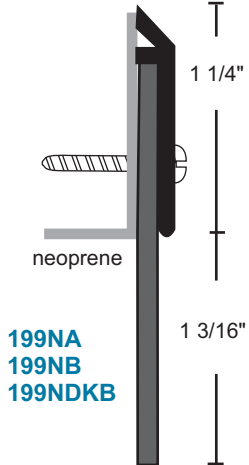
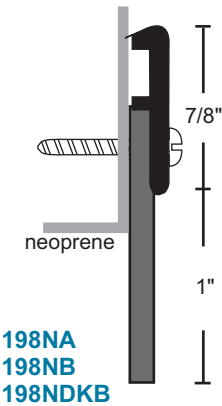
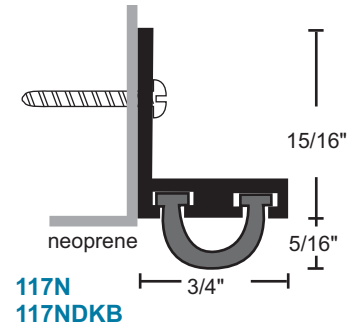
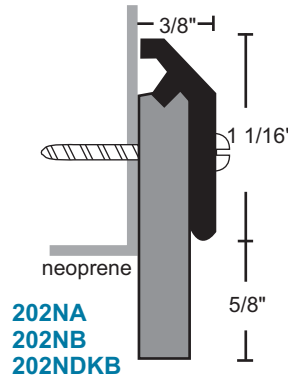
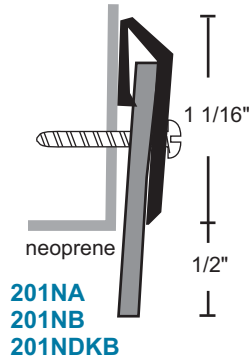
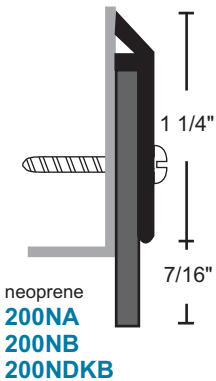
**254P
254PDKB**



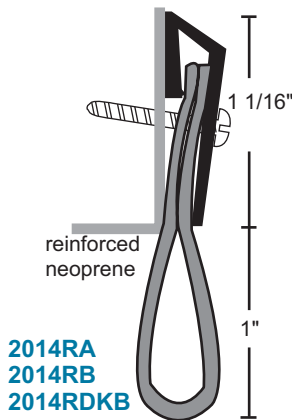
Neoprene Sweeps

#6 x 3/4" Stainless Steel Sheet Metal Screws furnished.
Screw holes slotted for adjustment.
Neoprene is black

All products this page

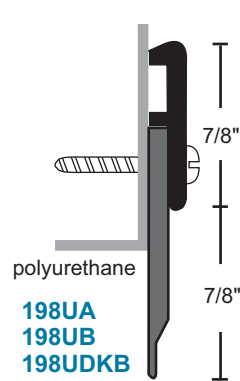
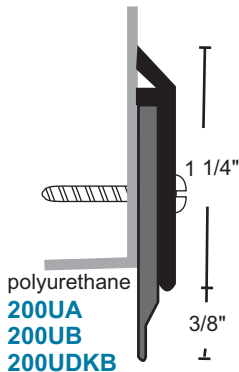


Reinforced Sweep



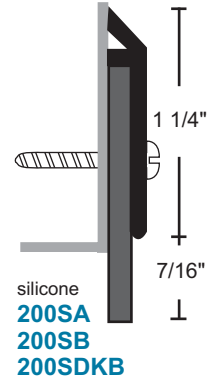
Polyurethane Sweeps

polyurethane is black



Silicone Sweep

silicone is gray



Vinyl Sweeps

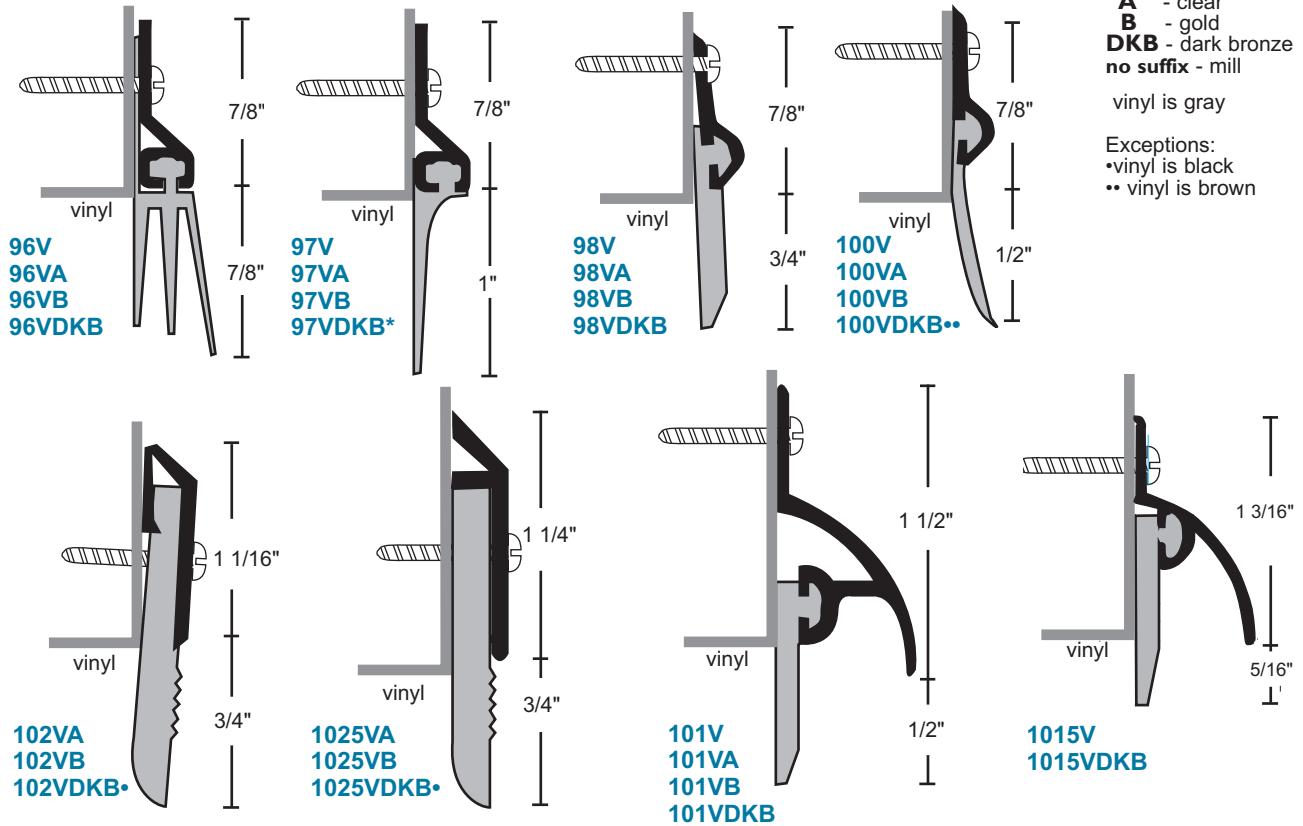
#6 x 3/4" Stainless Steel SMS furnished.
Screw holes slotted for adjustment.

All products this page



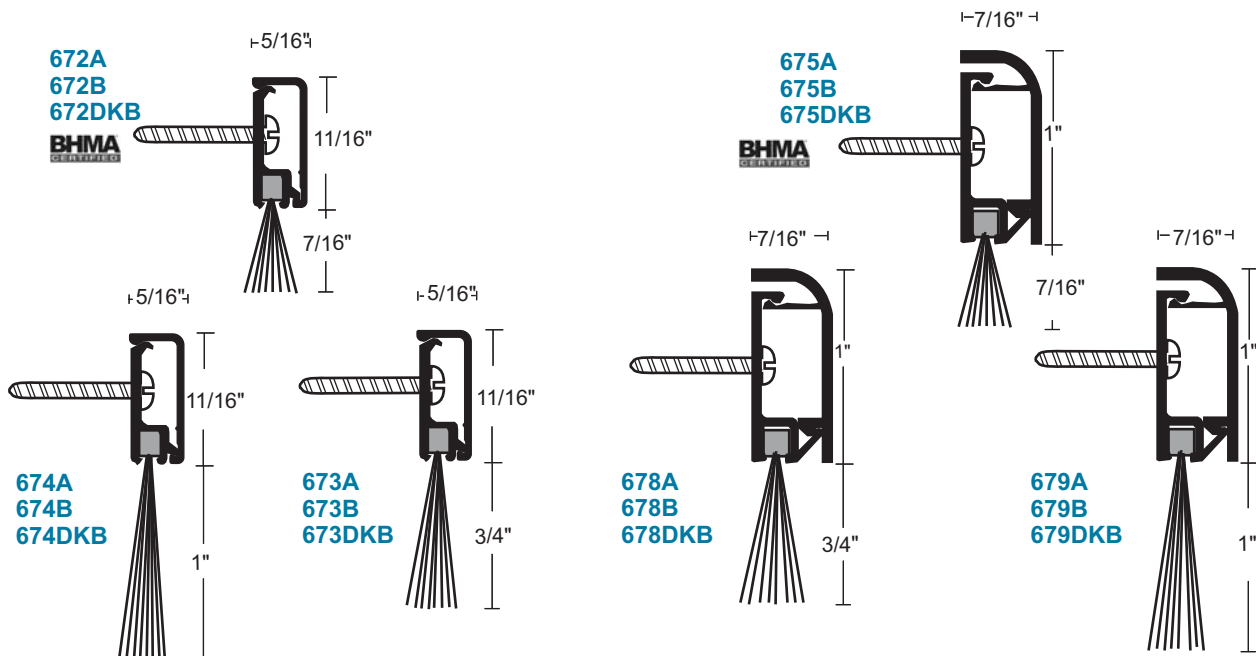
A - clear
B - gold
DKB - dark bronze
no suffix - mill
vinyl is gray

Exceptions:
• vinyl is black
•• vinyl is brown



Concealed Fastener Nylon Brush Sweeps

Gray brush with clear anodized; Black brush with gold and DKB

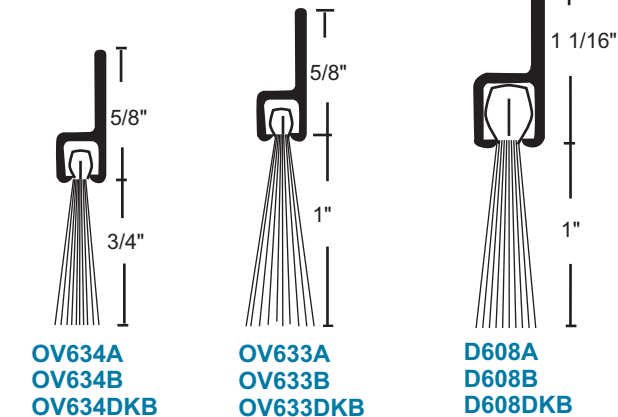
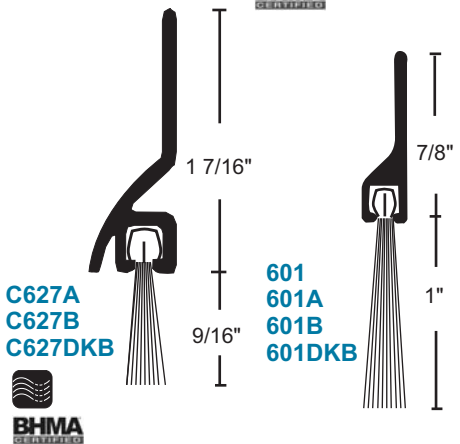
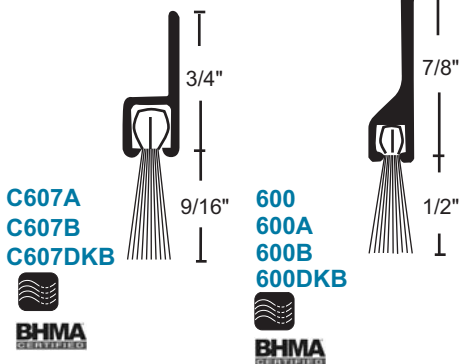
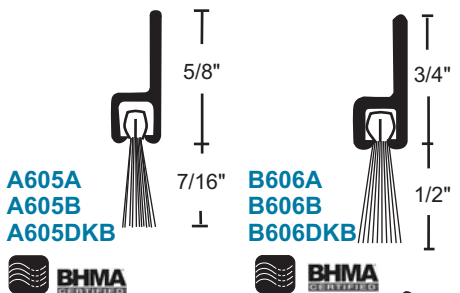


Nylon Brush Sweeps

#6 x 3/4" Stainless Steel Sheet Metal Screws furnished.
Screw holes are slotted for adjustment.

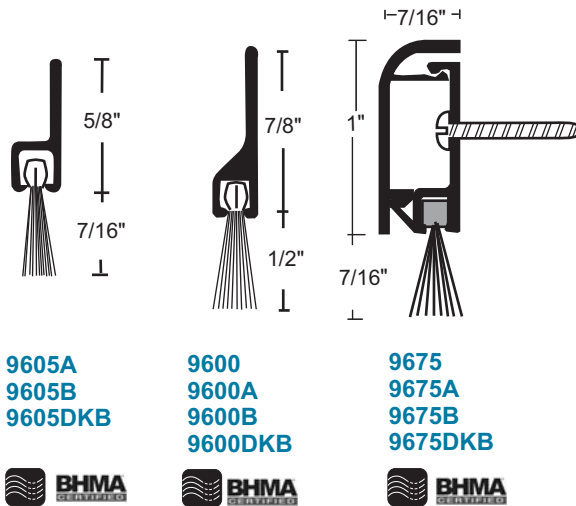
- A** - clear with gray brush
- B** - gold with black brush
- DKB** - dark bronze with black brush
- no suffix** - mill with gray brush

All products this page

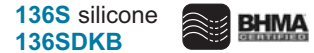
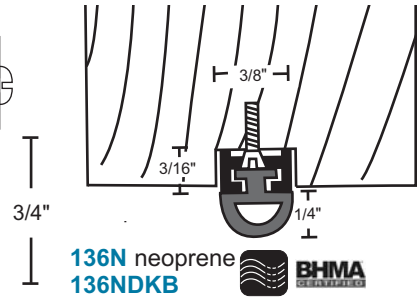
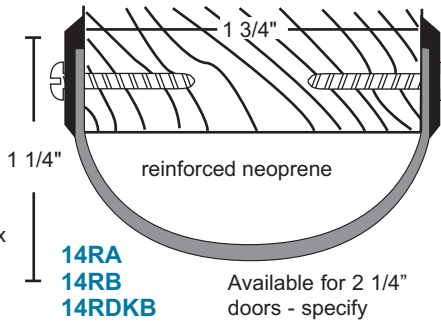
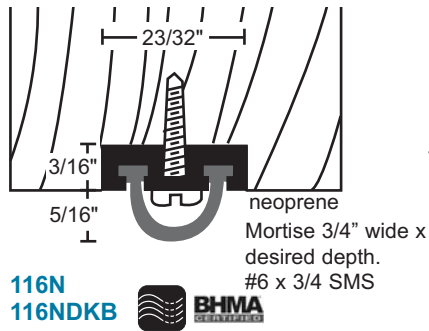


Nylon Brush Plus

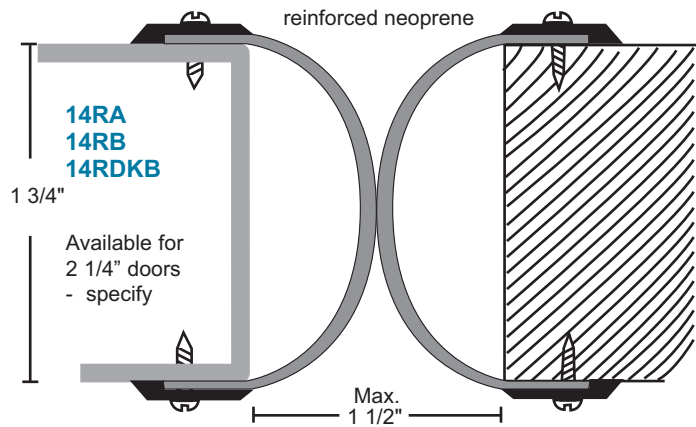
Specially formulated to withstand greater temperature extremes while providing maximum protection against air infiltration. Nylon Brush Plus color is Tan.



Door Bottom Seals

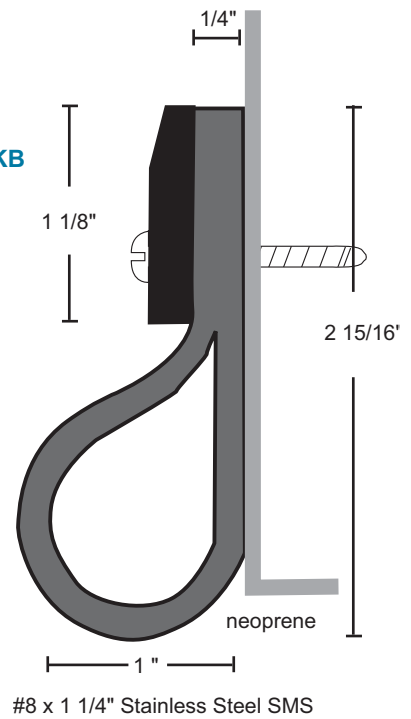


Specialty Astragals

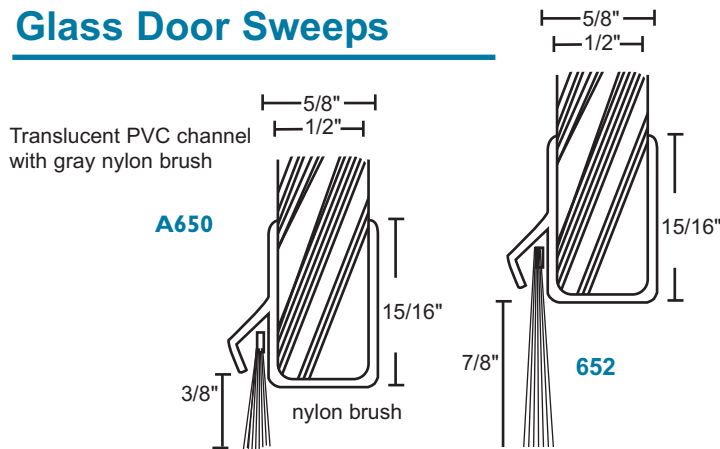


Overhead Door Bottom Seal

81369N
81369NDKB

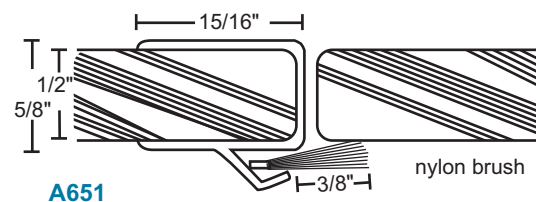
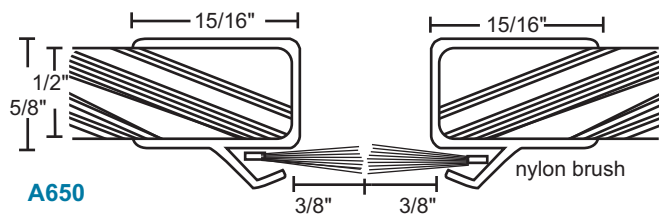


Glass Door Sweeps



Glass Door Astragal Seals

Our glass door seal consists of translucent PVC channel and gray nylon brush for an attractive solution to a difficult problem.



Order as **set** to receive two pieces
Maximum length 144"

Maximum length 144"

Smoke-Rated Astragal Sets

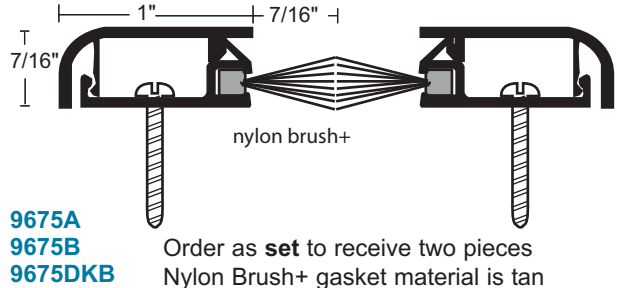
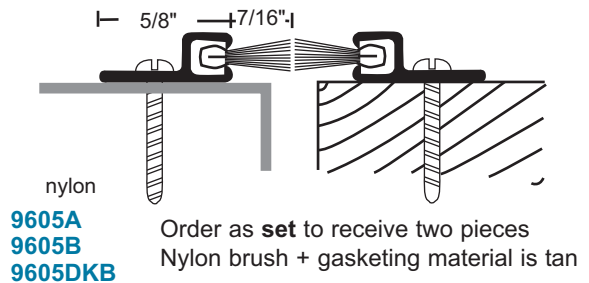
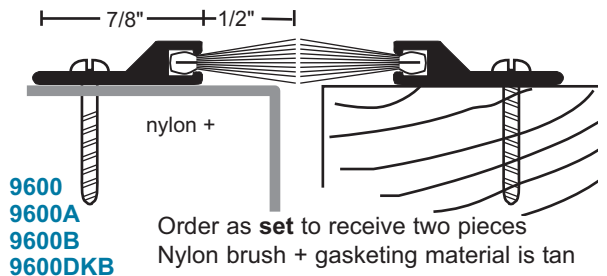
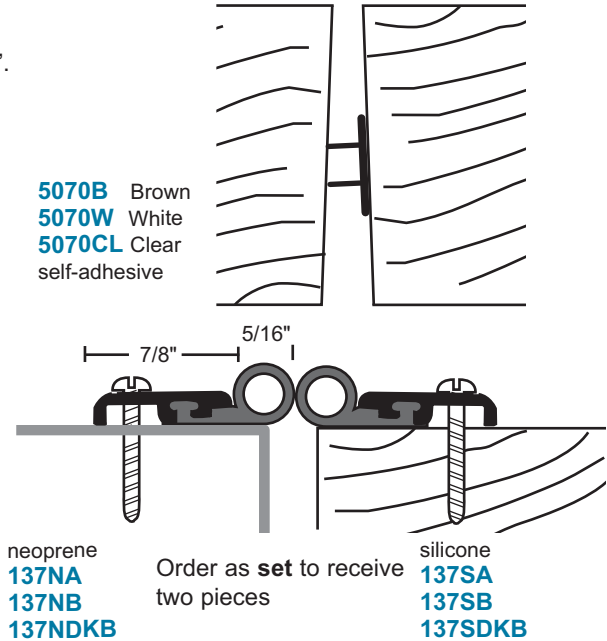
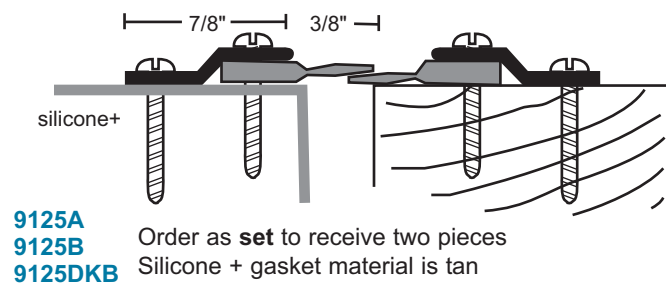
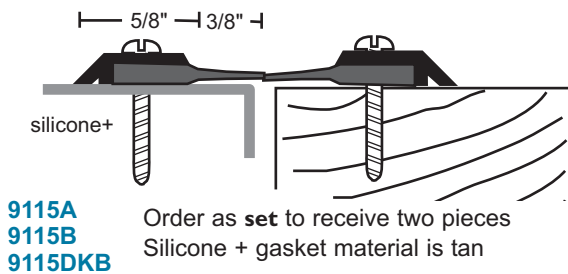
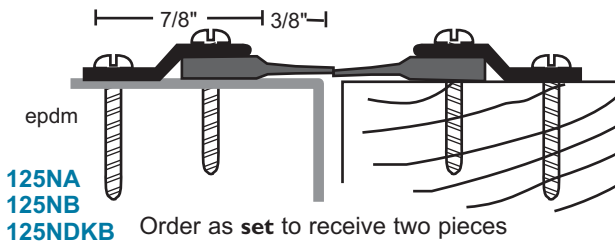
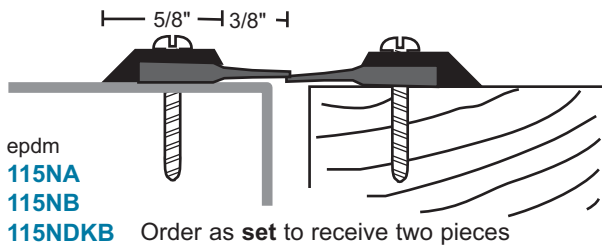
All products this page



Fire-rated Astragal Seals cannot replace any astragal required on the door by the door manufacturer to maintain its fire label. IBC, NFPA 80, NFPA105, NFPA 252 require the gap at the meeting edge between fire labeled doors must not exceed 1/8".

#6 x 3/4" Stainless Steel Sheet Metal Screws furnished. Screw holes are slotted for adjustment.

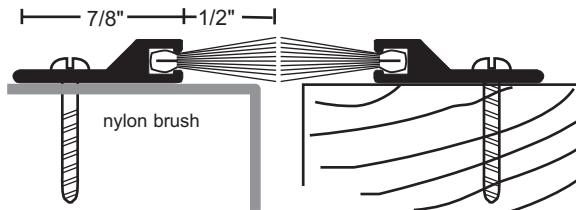
- A - clear
- B - gold
- DKB - dark bronze
- no suffix - mill
- epdm, silicone are gray
- neoprene is black
- silicone+, nylon+ are tan



Surface Mounted Astragal Sets

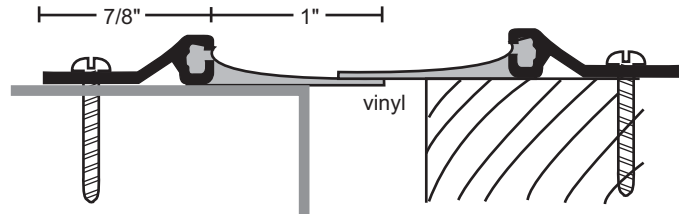
#6 x 3/4" Stainless Steel SMS furnished.
Screw holes are slotted for adjustment.

A - clear
B - gold
DKB - dark bronze
no suffix - mill
Brush is gray with mill finish and clear anodized metal; black with gold and DKB vinyl is gray, except * vinyl is black



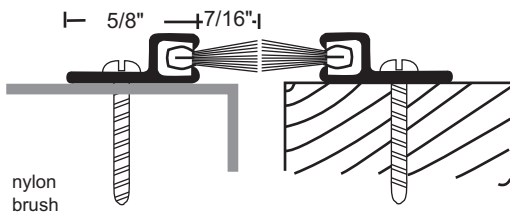
600
600A
600B
600DKB

Order as **set** to receive two pieces



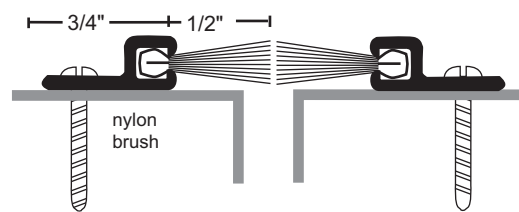
97V
97VA
97VB
97VDKB

Order as **set** to receive two pieces



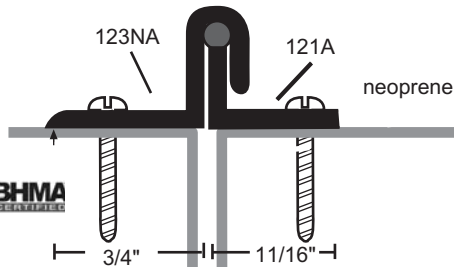
A605A
A605B
A605DKB

Order as **set** to receive two pieces



B606A
B606B
B606DKB

Order as **set** to receive two pieces

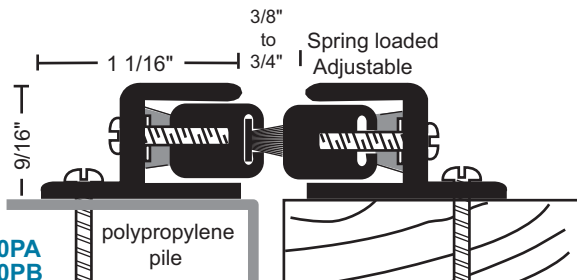


123NA x 121A
Maximum length 96"



Spring Adjustable Astragal Sets

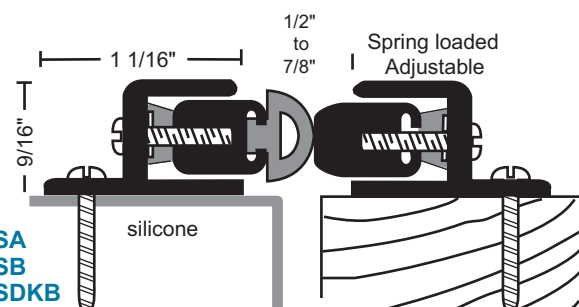
- * Adjustment screws on 10" centers allow adjustment of the seal without re-positioning mounting location.
- * Spring-loaded to maintain constant pressure for the most effective seal



140PA
140PB
140PDKB

Order as **set** to receive both pieces

* BHMA * up to 3 hrs. metal doors, 20 mins. wood doors



140SA
140SB
140SDKB

Order as **set** to receive both pieces

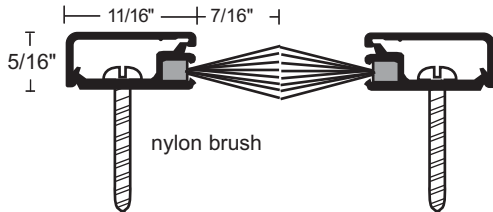


Concealed Fastener Astragal Sets

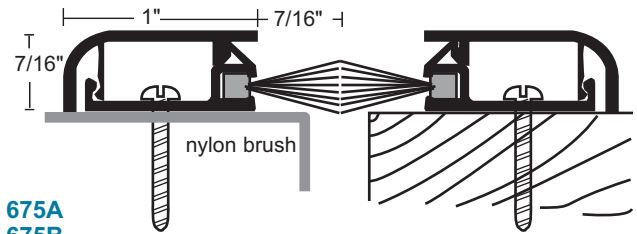
Snap on cover conceals screw heads for cleaner appearance

#6 x 3/4" Stainless Steel SMS furnished.
Screw holes slotted for adjustment

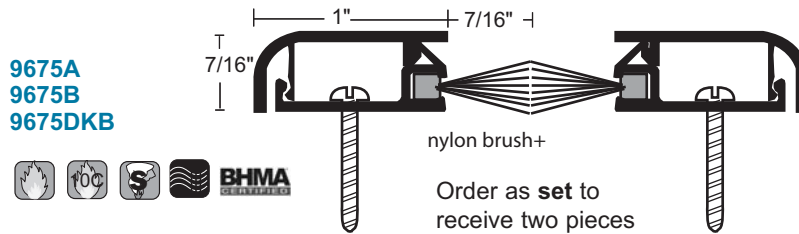
A - clear with gray brush
B - gold with black brush
DKB - dark bronze with black brush



672A
672B
672DKB Order as **set** to receive two pieces



675A
675B
675DKB Order as **set** to receive two pieces

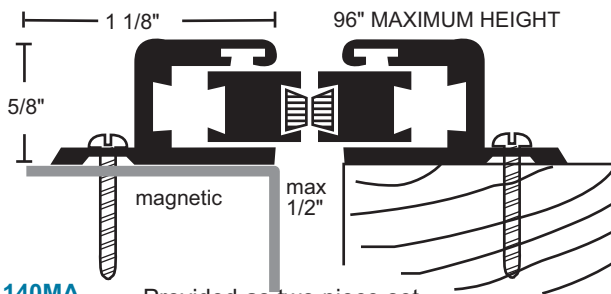


9675A
9675B
9675DKB Order as **set** to receive two pieces

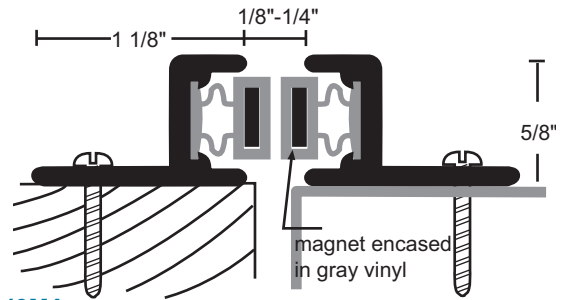


Magnetic Astragal Sets

#6 x 3/4" Stainless Steel SMS furnished.
Screw holes are slotted for adjustment (except 140M).



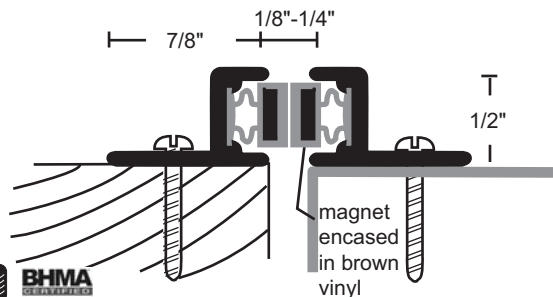
140MA
140MB
140MDKB Provided as two piece set



149MA
149MB
149MDKB Provided as two piece set



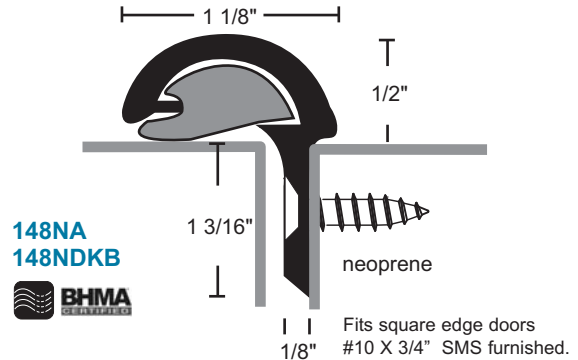
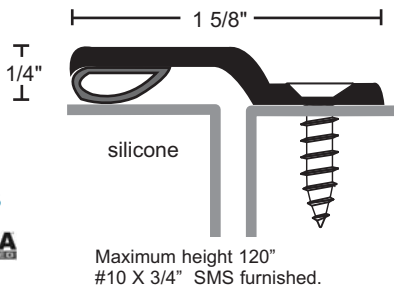
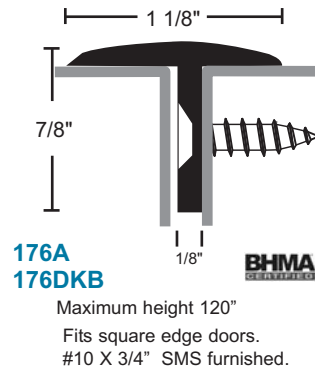
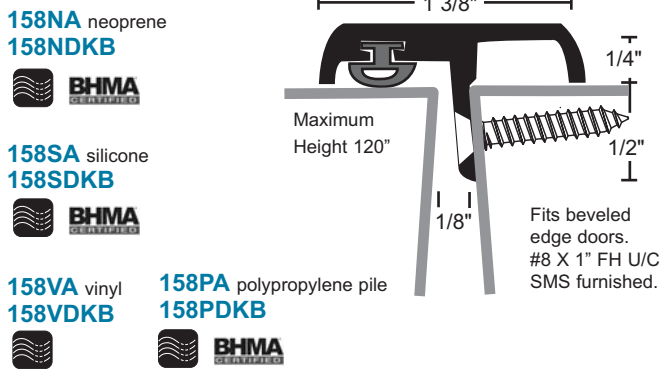
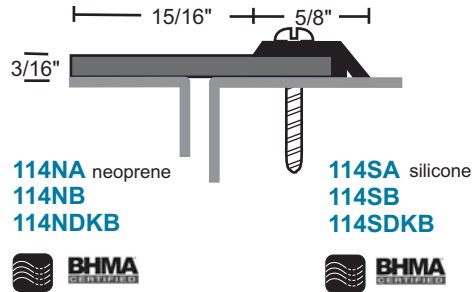
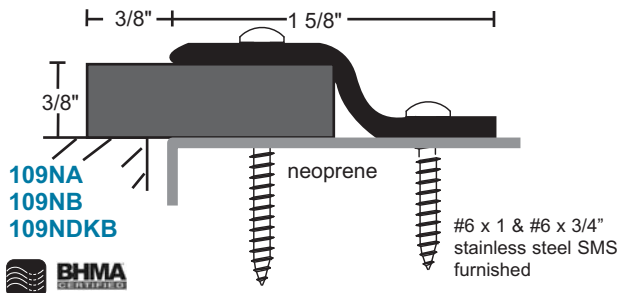
•Engineered for use on 80" to 96" Doors **only**.



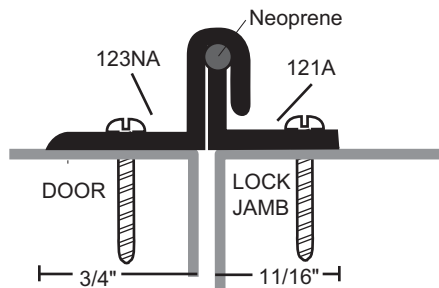
189MA
189MDKB Provided as two piece set



Overlapping Astragals



Interlocking Seals



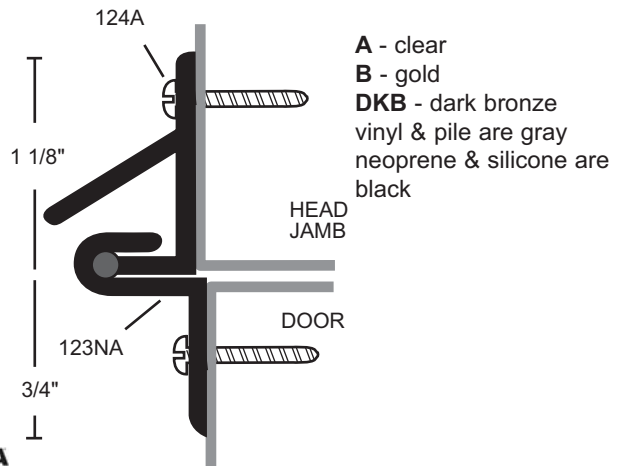
123NA x 121A

Not for hinge jamb application
maximum length 96"

BHMA

123NA x 124A
123NB x 124B
123NDKB x
124DKB

BHMA



Overlapping Astragals

Interlocking Seals

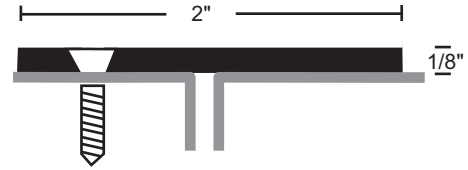
Solid Metal Astragals

- Available lead-lined .030" thick lead, suffix "LD"
- Available with SNB, specify

139SP Steel Prime Coat
139SPDKB Steel Dark Bronze

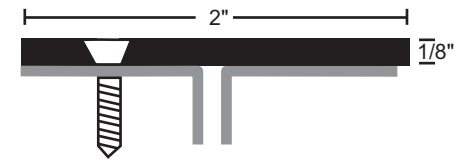


Furnished with #12 x 1 1/4" SMS. Can replace astragal required by the door manufacturer on wood or fire-rated metal doors. IBC, NFPA80, NFPA 252 require the gap at the meeting edge between fire labeled doors must not exceed 1/8". Astragal must overlap gap and inactive door minimum of 3/4".



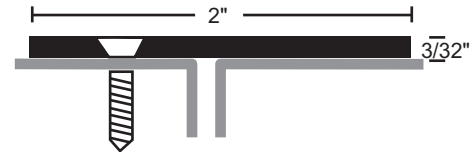
139A Aluminum Clear Anodized
139DKB Aluminum Dark Bronze
139BR Brass

BHMA #10 x 3/4" SMS furnished.

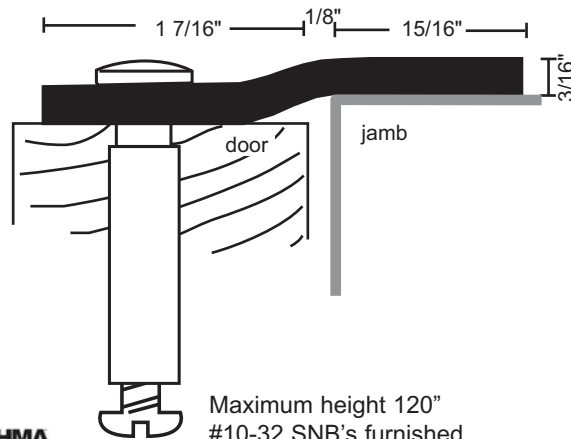


139SS Stainless Steel type 304 brushed #4 finish (US32D, 630)

BHMA #10 x 3/4" SMS furnished.



Steel Security Astragal



1392SP



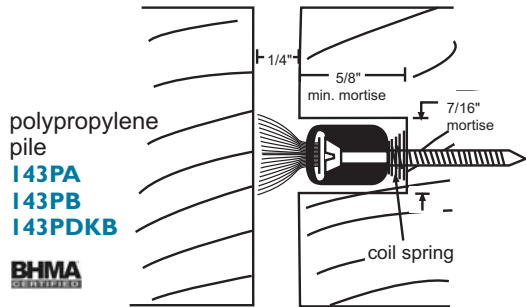
Maximum height 120"
 #10-32 SNB's furnished.

Mortised Astragals

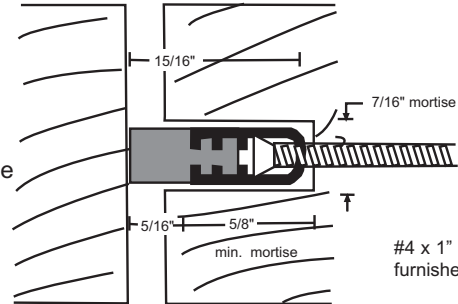
Mortised Astragals

nylon brush, pile, and vinyl are gray

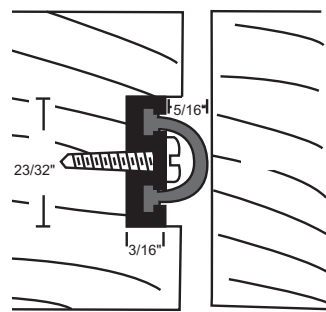
neoprene and silicone are black



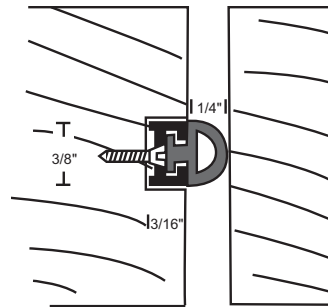
#6 SMS furnished.



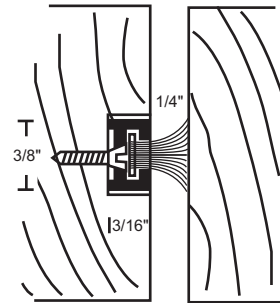
#4 x 1" SMS furnished.



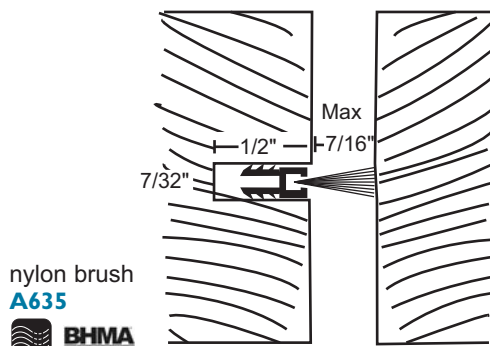
I16N neoprene
I16NDKB
Mortise dimensions 3/4" wide x desired depth.
#6 X 3/4" SMS furnished.



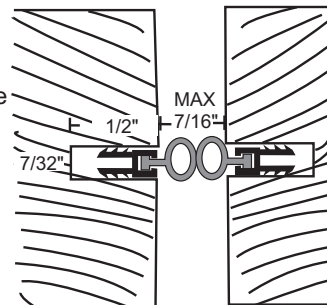
I36N neoprene
I36NDKB
Mortise dimensions 7/16" wide x desired depth.
#2 SMS furnished.



I36P
I36PDKB
polypropylene pile
Mortise dimensions 7/16" wide x desired depth.
#2 SMS furnished.



nylon brush
A635
Mortise dimensions 7/32" x 1/2"
Order as **set** to receive two pieces
Maximum length 108"

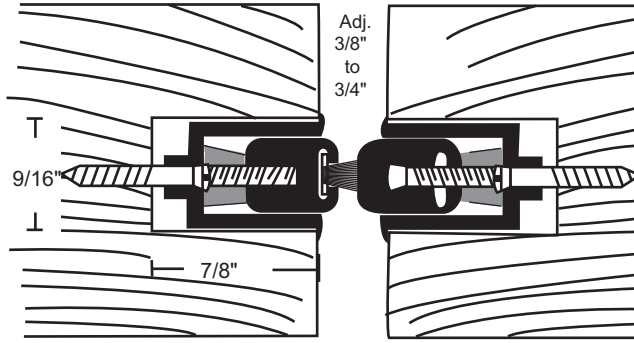


Mortise dimensions 1" wide x 1/2"
Order as **set** to receive two pieces
Maximum length 108"

Spring Adjustable Mortised Astragals

- Adjustment screws on 10" centers allow adjustment of the seal without repositioning mounting location.
- Spring-loaded to maintain constant pressure for the most effective seal.

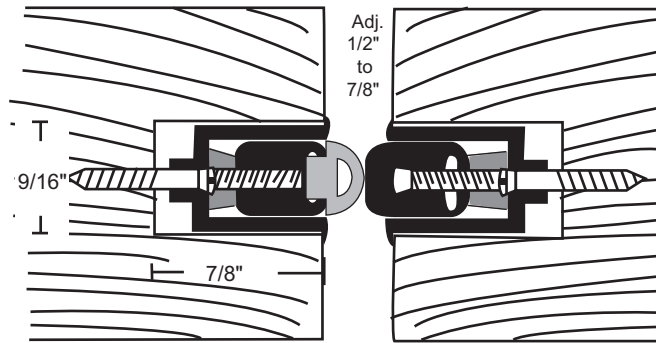
A - clear
B - gold
DKB - dark bronze
Pile is gray
Silicone is black



Spring Loaded

polypropylene pile
I44PA
I44PB
I44PDKB

Mortise dimensions 9/16" wide x 7/8".
#8 x 3/4" SMS furnished
Order as set to receive both pieces



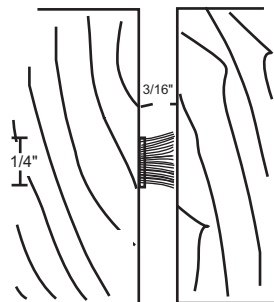
Spring Loaded

silicone
I44SA
I44SB
I44SDKB

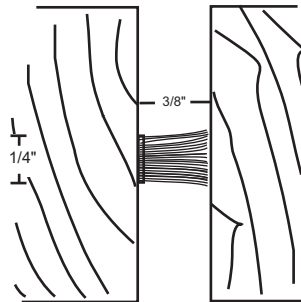
Mortise dimensions 9/16" wide x 7/8".
#8 x 3/4" SMS furnished
Order as set to receive both pieces



Self-Adhesive Pile Astragals



340P polypropylene pile



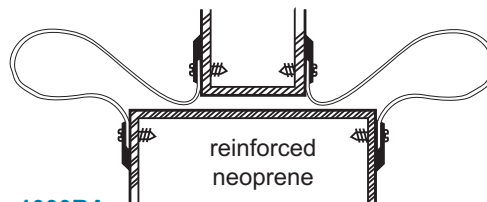
336P polypropylene pile



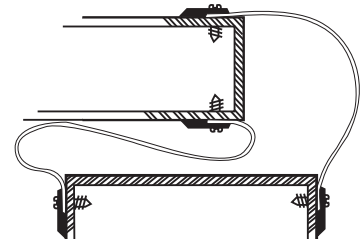
Safety Seal for Double-Acting Doors

Seals and closes gap at heel of double-acting or center pivoted doors.

#6 x 3/4" Stainless Steel Sheet
Metal Screws furnished.



1000RA
1000RB
1000RDKB

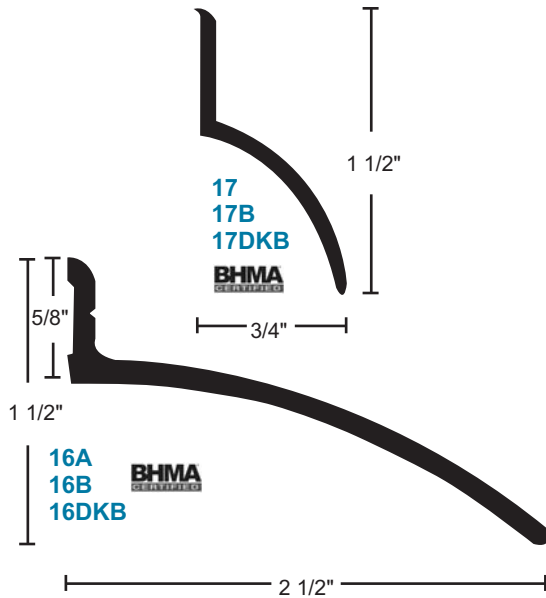


5", 10" or 16" overall widths available - Specify

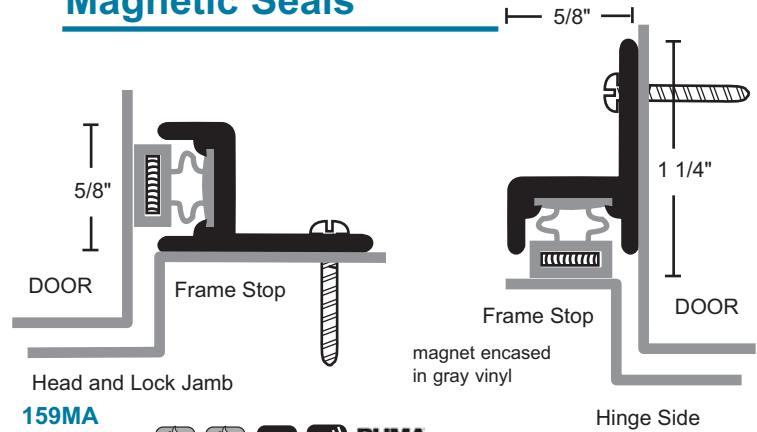
Drip Strips

#6 x 3/4" Stainless Steel SMS furnished

A - clear
 B - gold
 DKB - dark bronze
 No Suffix - Mill

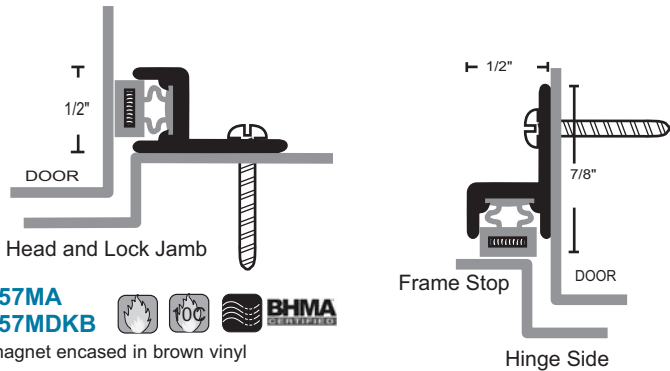


Magnetic Seals



159MA
 159MB
 159MDKB

#6 x 3/4" Stainless Steel SMS furnished. Screw holes slotted for adjustment. Maximum length 144"



157MA
 157MDKB

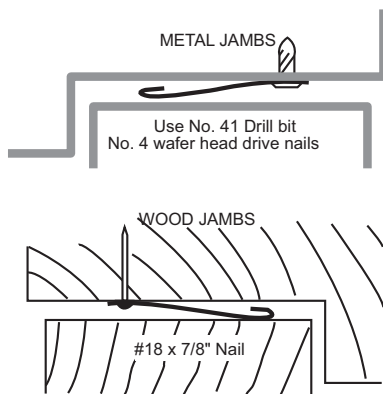
Spring Bronze Weatherstrip

Spring Bronze .009" thick

Available in 100' rolls
 Fasteners not included unless specified.
 Refer to fastener information under cushion bronze weatherstrip

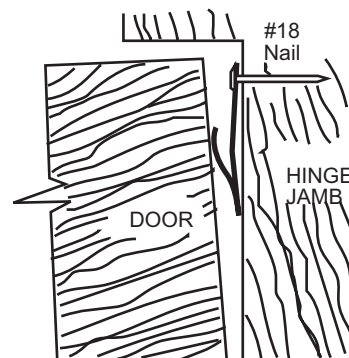
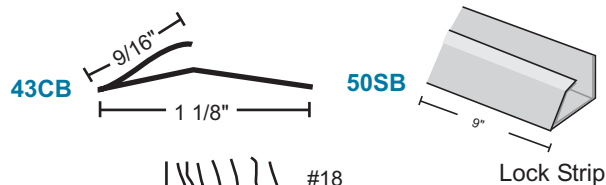


Cat. No.	Width
43SB	1 1/8"
44SB	1 1/4"
45SB	1 3/8"



Cushion Bronze Weatherstrip

Cushion material will not coil. Specify lengths required (36", 48", 72", 84", and 96".) All other lengths on special order. Nails not included. Normal installation requires 3/4 lb. of nails per 100 ft. of weatherstrip, install 1" o.c.. Zinc plated bronze finish nails available in 1 lb. bags. Wafer head pilot point drive nails make excellent applications for metal jambs, normal installation requires 6 per foot. Install using #41 drill bit. Available with Fast Attach Tape- Specify x "FATT"

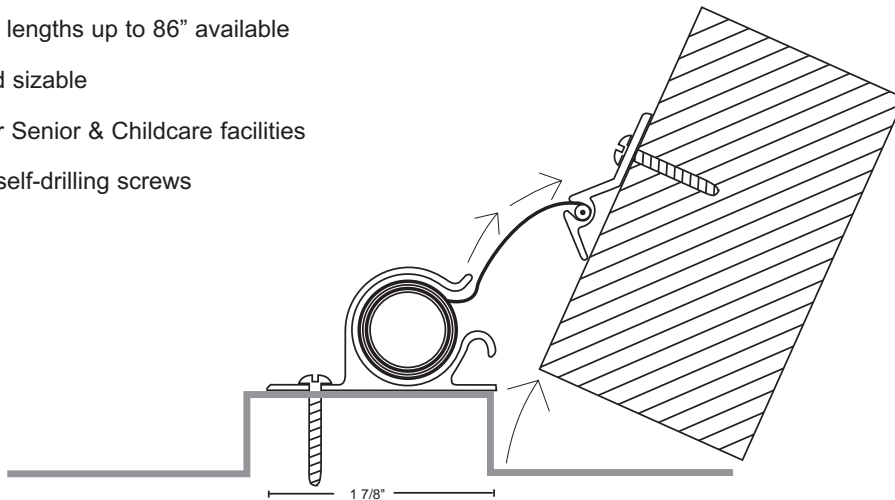


Finger Guard

Finger Guard is designed to help prevent injury to fingers accidentally placed in the hinge area of a door. This unique product features an internal spring mechanism that maintains constant tension against the polyethylene fabric. This covers the dangerous area behind the edge of the door to prevent accessibility to this area.

- Anodized Aluminum Housing
- Durable “endless cycle” Spring Mechanism
- Fire Resistant Woven Polyethylene Fabric
- 76” or 82” full size
- 38” dutch door size
- Custom lengths up to 86” available
- Not field sizable
- Ideal for Senior & Childcare facilities
- #6 Tek self-drilling screws

details not to scale

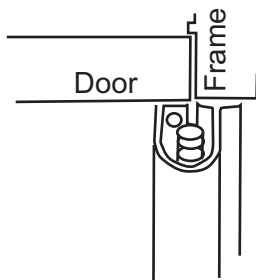


- 2248A-38”** Aluminum clear anodized w/ white polyethylene
- 2248A-76”** Aluminum clear anodized w/ white polyethylene
- 2248A-82”** Aluminum clear anodized w/ white polyethylene



- 2248DKB-38”** Dark Bronze w/ black polyethylene
- 2248DKB-76”** Dark Bronze w/ black polyethylene
- 2248DKB-82”** Dark Bronze w/ black polyethylene



* up to 3 hrs. metal doors, 1 hr. wood doors



Hinge Side FingerSafe® Guard

- 2252B** Brown  
- 2252C** Charcoal
- 2252W** White

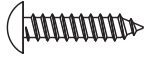
- Protects pull side of door edge preventing fingers from injury
- Made of UPVC and nitrile rubber
- Length is 79 3/4”

Fingersafe® is internationally patented

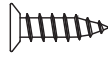
GASKETING FASTENERS



#2 x 1/2" FH
Phillips SMS



#4 x 5/8" TH
Phillips SMS
Use 5/64" Drill



#6 x 1/2" FH
Phillips SMS
Use 7/64" Drill



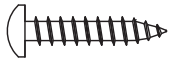
Phillips Head
Top View



Spanner Head
Top View



Torx Security
Top View



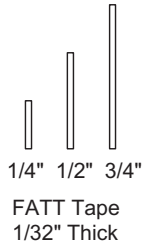
#6 x 3/4" PH
Phillips SMS
Use 7/64" Drill



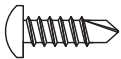
#6 x 1" PH
Phillips SMS
Use 7/64" Drill



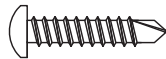
#6 x 1 1/2" PH
Phillips SMS
Use 7/64" Drill



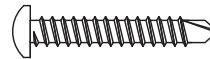
1/4" 1/2" 3/4"
FATT Tape
1/32" Thick



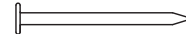
#6 x 1/2"
Phillips
TEK Screw



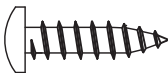
#6 x 3/4"
Phillips
TEK Screw



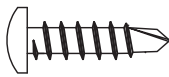
#6 x 1"
Phillips
TEK Screw



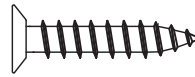
#18 x 7/8" Nail for
Spring/Cushion
Bronze Weather Strip
on Wood Jamb



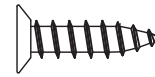
#8 x 3/4" PH
Phillips SMS
Use 9/64" Drill



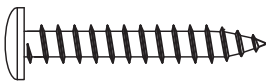
#8 x 3/4"
Phillips
TEK Screw



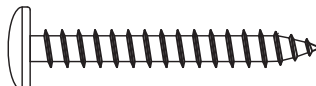
#8 x 1" FH
Phillips U/C SMS
Use 9/64" Drill



#10 x 3/4" FH
Phillips U/C SMS
Use 11/64" Drill



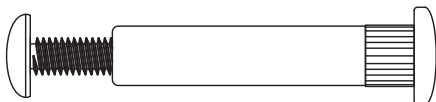
#8 x 1 1/4" TH
Phillips SMS
Use 9/64" Drill



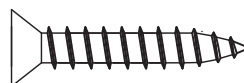
#10 x 1 1/2" TH
Phillips SMS
Use 11/64" Drill



#4 Wafer Head Drive Nail
for Spring/Cushion
Bronze Weather Strip
on Metal Jamb
Use #41 Drill bit for pilot hole



#10 - 32 Phillips SNB



#12 x 1 1/4" FH
Phillips SMS

PH = Pan Head
FH = Flat Head
TH = Truss Head
MS = Machine Screw
SMS = Sheet Metal Screw
SNB = Sex Nut & Bolt
U/C = Undercut



National Guard Products, Inc.
The products you count on. The people you trust.

*Discover the
many benefits of
working with NGP.
From personal
customer service
to expert
technical advice,
we're always
here to help.*

Has good service become an endangered species?



It's hard to find a company with real people who answer when you call, much less people who go out of their way to ensure you get what you need when you need it. At NGP, going the extra mile is the way we do business. And if that makes us a rarity, then we're happy to be the odd duck that delivers what we promise.

1.800.647.7874



National Guard Products, Inc.
The products you count on. The people you trust.

• THRESHOLDS • GASKETS • LITE KITS • LOUVERS • THRESHOLDS • GASKETS • LITE KITS • LOUVERS • THRESHOLDS • GASKETS • LITE KITS •
• GASKETS • LITE KITS • LOUVERS • THRESHOLDS • GASKETS • LITE KITS • LOUVERS • THRESHOLDS • GASKETS • LITE KITS •
• GASKETS • LITE KITS • LOUVERS • THRESHOLDS • GASKETS • LITE KITS • LOUVERS • THRESHOLDS • GASKETS • LITE KITS •
• GASKETS • LITE KITS • LOUVERS • THRESHOLDS • GASKETS • LITE KITS • LOUVERS • THRESHOLDS • GASKETS • LITE KITS •
• GASKETS • LITE KITS • LOUVERS • THRESHOLDS • GASKETS • LITE KITS • LOUVERS • THRESHOLDS • GASKETS • LITE KITS •
• GASKETS • LITE KITS • LOUVERS • THRESHOLDS • GASKETS • LITE KITS • LOUVERS • THRESHOLDS • GASKETS • LITE KITS •
• GASKETS • LITE KITS • LOUVERS • THRESHOLDS • GASKETS • LITE KITS • LOUVERS • THRESHOLDS • GASKETS • LITE KITS •
• GASKETS • LITE KITS • LOUVERS • THRESHOLDS • GASKETS • LITE KITS • LOUVERS • THRESHOLDS • GASKETS • LITE KITS •

Contact:

Phone: 800-647-7874
Fax: 800-255-7874
www.ngp.com

Corporate Headquarters:

NATIONAL GUARD PRODUCTS, INC.
4985 E. Raines Road
Memphis, Tennessee 38118

Mailing Address:

P.O. Box 753430
Memphis, Tennessee 38175